

# Mobile Beverage Counter

## Standard Features

**FRAME:** Featuring frameless construction utilizing 16 gauge stainless steel formed end panels with top and bottom horizontal members of 16 gauge stainless steel.

**CASTERS:** Heavy duty 5" casters diameter plate casters with gray rubber tires. Brake models to be supplied on all casters.

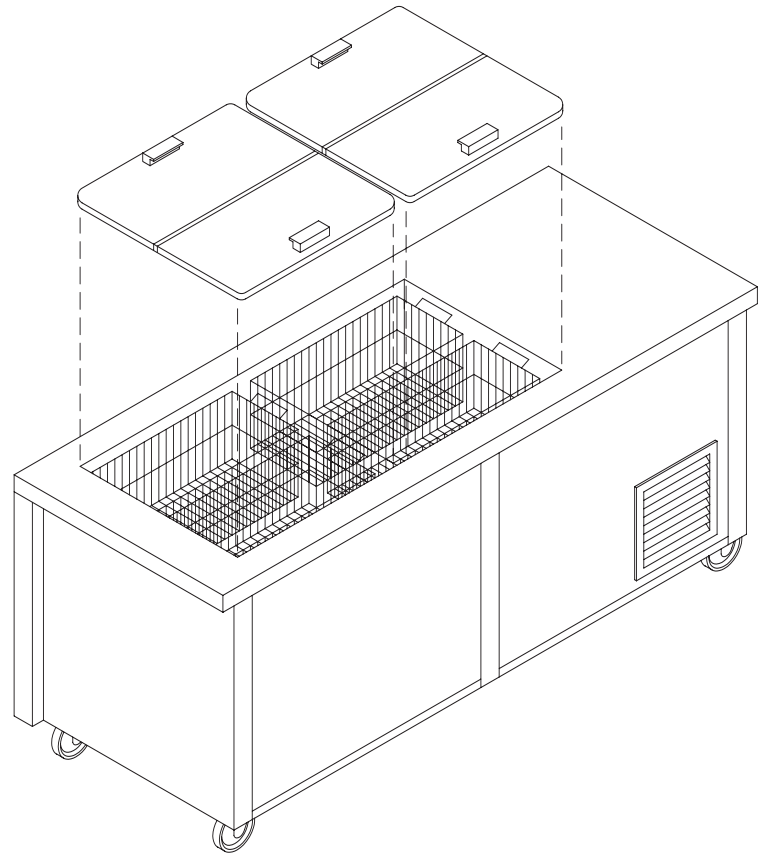
**TOP:** 14 gauge stainless steel with 2" turndown on all sides and sound deadening applied between top and frame.

**FRONT BODY PANEL:** Removable plastic laminate or stainless steel front panel.

**REFRIGERATED BEVERAGE UNIT:** Mechanically cooled stainless steel deep well with removable wire baskets. Self contained R-404A high temperature hermetically sealed with expansion valve and pressure switch operation condensing unit.

**STAINLESS STEEL SPECIFICATION:** All stainless steel to be type 304 with number 4 finish.

**BASKETS:** All stainless steel wire baskets fully welded and finished.

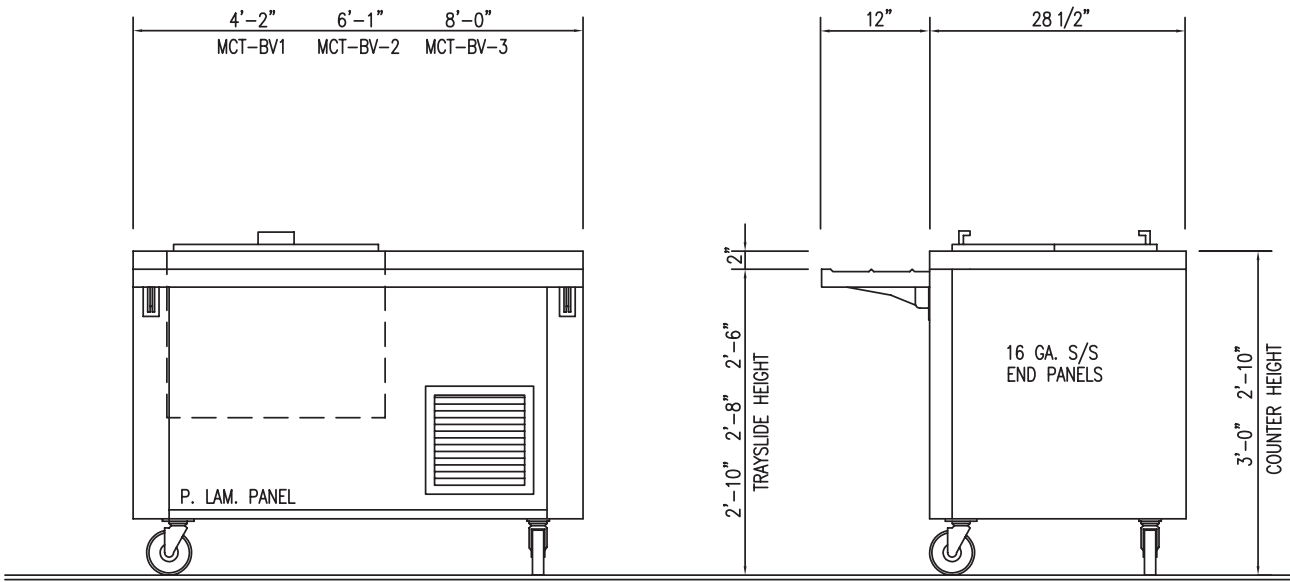


MODEL	LENGTH	CAPACITY	HP	VOLTS	PHASE	AMPS	NEMA CORD/CAP	APPROX. SHIP WEIGHT
MCT-BV1	50"	72	1/3	120	1	6.0	NEMA 5-15P	500 lbs
MCT-BV2	73"	144	1/3	120	1	6.0	NEMA 5-15P	610 lbs
MCT-BV3	96"	216	1/3	120	1	6.0	NEMA 5-15P	730 lbs



2320 Peyton Houston, Texas 77032  
 Phone 281-442-8001 Toll Free: 888-955-5463 Fax: 281-442-3351 [www.mod-u-serve.com](http://www.mod-u-serve.com)

# Mobile Beverage Counter



## Optional Features

**FRONT BODY PANEL:** Ceramic tile front panel.

**TRAYSLIDE:** Stainless steel or Corian® trayslide mounted on fold down brackets. Stainless steel tubular trayslide also available, on fold down brackets.

**LEGS:** 6" adjustable stainless steel legs in lieu of casters.

**SNACK RACK:** 16 gauge stainless steel slanted snack rack.

**DISPENSING LIDS:** Stainless steel bi-fold covers with locking mechanism (lock by others)

**BASKETS:** Additional wire baskets are available.

**DUAL SERVICE TRAYSLIDE:** Dual sided stainless steel or Corain trayslide on fold down brackets.

**OPTIONAL COUNTER/TRAYSLIDE HEIGHT:**  
 Elementary schools – 34" counter / 30" trayslide  
 Middle School – 34" counter / 32" trayslide  
 High School – 36" counter / 34" trayslide

**ADDITIONAL WARRANTY:** Additional 12 month limited warranty on parts and labor.

For options / accessories / modifications not shown, please contact factory.



Mod-U-Serve reserves the right to modify specifications or discontinue models without notice or incurring obligation.



2320 Peyton Houston, Texas 77032

Phone 281-442-8001 Toll Free: 888-955-5463 Fax: 281-442-3351 [www.mod-u-serve.com](http://www.mod-u-serve.com)