

Project Name:	Location:	AIA #:
Item #:	Qty:	Model #:
		SIS #:

TE-SERIES - STAINLESS STEEL EXTERIOR & INTERIOR



Representative, 4-drawer model shown

36, 48, 60" WIDE MODELS

- TE036HT
- TE048HT
- TE060HT

SPECIFICATIONS

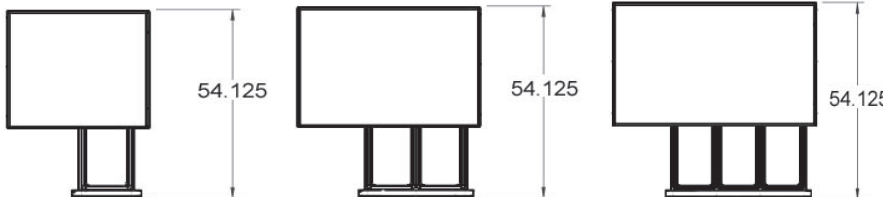
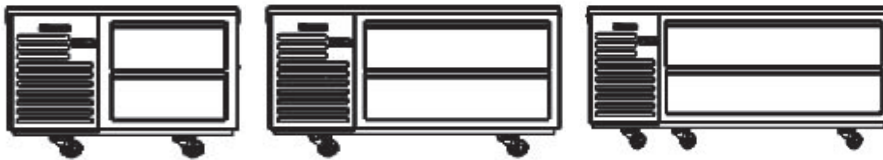
DIMENSIONAL DATA	
Length in.	36 (91.4 cm) 48 (121.9 cm) 60 (152.5 cm)
Depth in.	34-3/16 (86.8 cm)
OA Height in. ²	26-1/4 (66.7 cm)
Max Top Load Capacity lbs.	36" & 48" 625 (283.5 kg) 60" 1200 (544.3 kg)
ELECTRICAL DATA	
Horsepower ¹	1/4
Amps	4.5
Voltage	115/60/1
NEMA	5-15P
REFRIGERATION DATA	
Refrigerant	R-290
Charge Amount oz.	36/48 - 3.3 (93.6 g) 60 - 4.1 (116.2 g)
BTU	2180

When ordering please specify:
Voltage and Options

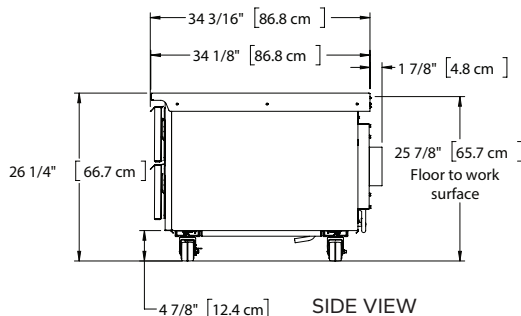


NEMA 5-15P

PLAN VIEW



TOP VIEW



SIDE VIEW

- Based on 90°F ambient & 20°F evaporator.
- Overall height includes 4" (10.2 cm) for casters.



Intertek



Intertek



Models listed to applicable UL, CSA, and NSF standards by an approved NRTL. Consult the factory or unit data plate for additional information.

Specifications subject to change without notice. Chart dimensions are rounded up to the nearest 1/16" (centimeters rounded up to the nearest tenth).



TE-SERIES

2-DRAWER REFRIGERATED EQUIPMENT STAND



Project Name:	Location:	AIA #:	
Item #:	Qty:	Model #:	SIS #:

REFRIGERATION SYSTEM

- Self-contained, side-mounted system uses environmentally friendly, minimal GWP R-290 refrigerant
- Front-breathing system allows zero-clearance installation
- High performance, balanced system operates at 34-38°F (11-3.3°C) to maintain consistent, food-safe temperatures
- Rear-mounted evaporator fans provide dedicated airflow per drawer section
- Water-resistant microprocessor control with an LED display
- Easy to clean, front-facing condenser coil with removable, wire condenser filter for easy cleaning and coil protection
- Thermostatic expansion valve metering device
- High humidity evaporator coil located outside the food zone
- Non-electric condensate evaporator

CABINET CONSTRUCTION

- Stainless steel exterior and interior
- Stainless steel top with front marine edge; 90° side and rear edges
- Exterior back and bottom are constructed of heavy gauge galvanized steel
- Controllable anti-condensate drawer perimeter heaters
- Cabinet and drawers are insulated with an average of 2" (5.1 cm) thick high density, non-CFC foamed-in-place polyurethane
- Side, front and rear access panel for easy service and maintenance access
- A set of (4) 4" (10.2 cm) high plate casters; on adjustable channel system
- 9' (2.4 m) cord, plug and plug retainer provided

DRAWERS

- Stainless steel handles with gasket guard
- Easily removable drawer cartridge for cleaning
- Heavy gauge stainless steel drawers and drawer slides; fabricated in-house
- Drawers are self-closing with a stay-open feature
- Magnetic, snap-in drawer gasket(s)

INTERIORS

- Drawers accommodate 6" deep 12" x 20" pans
- 36" model holds (2) pans, 48" model holds (4) pans and 60" model holds (6) pans; provided by others

FACTORY-INSTALLED OPTIONS

- Stainless steel finished back
- System relocation to right side
- 6" (15.2 cm) cabinet length extension; includes supports and seamless top
- Set of (4) 3" (7.6 cm) casters
- Set of (4) 6" (15.2 cm) casters
- Set of (4) 6" (15.2 cm) stainless steel legs
- Bullnose top
- Bullnose worktop with 4" (10.2 cm) backsplash

WARRANTY

Both a six-year parts and labor warranty, and an additional one-year compressor parts warranty (for a total of seven years) are provided standard

CAD and/or Revit Files Available

<https://traulsen.klccad.com>

Approved by:	Approved by:	Date:
--------------	--------------	-------