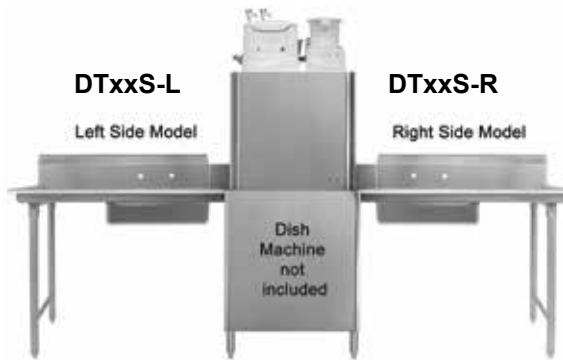
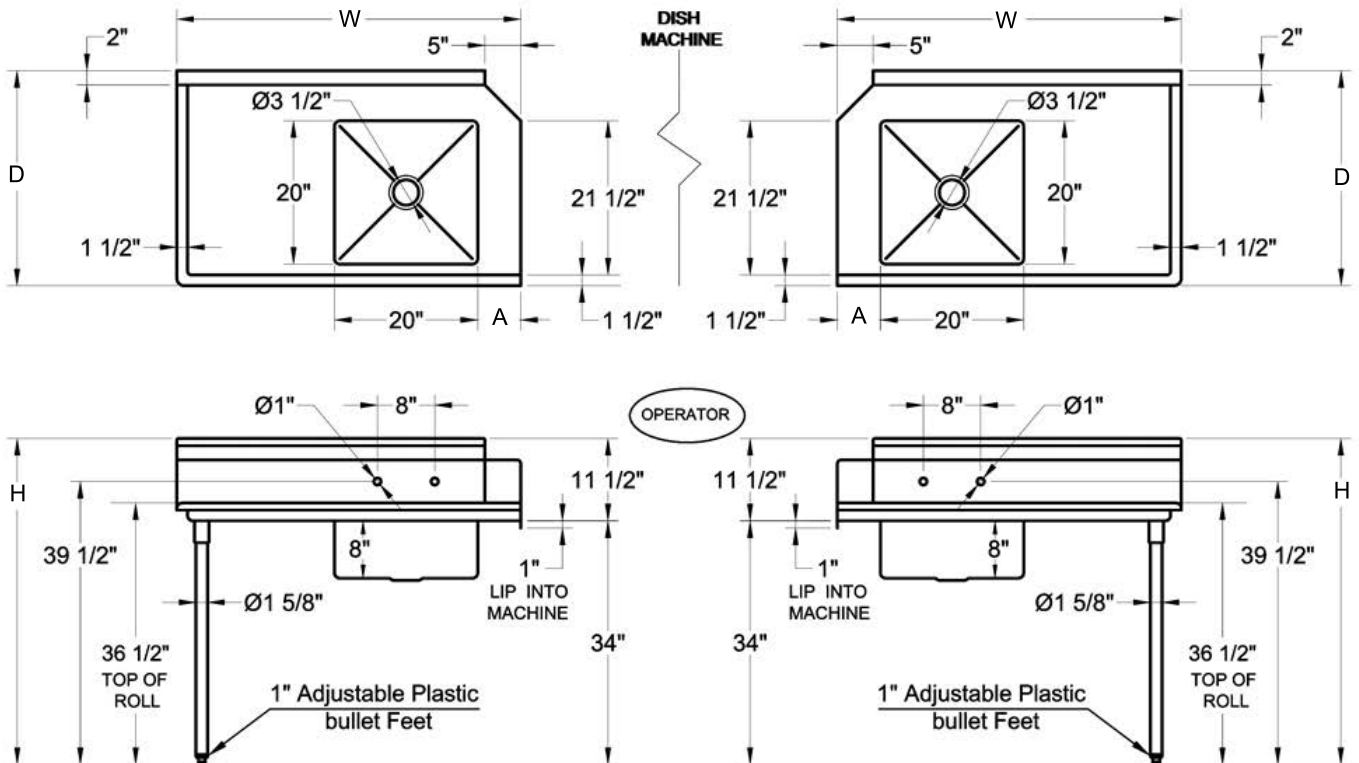


Soiled Dishtables

- Polished stainless steel work surface
- Table has formed-down lip to fit most standard dishwashers
- 16 Ga. 304 S/S top & bowls
- 11-1/2" back-splash, 20" x 20" x 8" bowl
- Stainless steel cross braced legs
- Faucet and scrap basket are not included
- 72" and up models come with 4 legs



Item No.	D x W x H (in)	G. W. (lb)
DT24S-L	30 x 24 x 45-1/2	42
DT24S-R	30 x 24 x 45-1/2	42
DT30S-L	30 x 30 x 45-1/2	48
DT30S-R	30 x 30 x 45-1/2	48
DT36S-L	30 x 36 x 45-1/2	54
DT36S-R	30 x 36 x 45-1/2	54
DT48S-L	30 x 48 x 45-1/2	73
DT48S-R	30 x 48 x 45-1/2	73
DT60S-L	30 x 60 x 45-1/2	97
DT60S-R	30 x 60 x 45-1/2	97
DT72S-L	30 x 72 x 45-1/2	125
DT72S-R	30 x 72 x 45-1/2	125
DT84S-L	30 x 84 x 45-1/2	168
DT84S-R	30 x 84 x 45-1/2	168
DT96S-L	30 x 96 x 45-1/2	203
DT96S-R	30 x 96 x 45-1/2	203
DT18243D-L	30 x 102-1/4 x 45-1/2	125
DT18243D-R	30 x 102-1/4 x 45-1/2	125



Left Side Model

Right Side Model