

Tray & Glass Rack Dispensers

Self-Leveling - Counter Drop-In

Models 973, 976, 977, 97725



Model 976

Provide Convenient Tray & Rack Dispensing In Any Counter Top

- All-welded stainless steel construction for long service life
- Field adjustable without tools to assure proper ergonomic dispensing level
- Corner roller guides assure smooth carriage movement
- Easy-to-clean and sanitize stainless steel



Model 977



Model 973



Specifications

To be of all-welded stainless steel construction and accepts trays or racks on a stainless steel spring-loaded, self-leveling carriage. Unit hangs from counter cutout by a 14-gauge top flange welded to unit frame. Carriage features banks of tension springs on two sides. Spring tension for carriage is field-adjustable without tools by hooking or unhooking springs to/from the carriage, providing proper dispensing level. Carriage also features sets of nylon roller guides on all four corners to provide smooth leveling movement inside unit frame. Lower frame is of .120 x 1" x 1" angle stainless steel. Unit is NSF listed.

Lakeside Manufacturing, Inc.

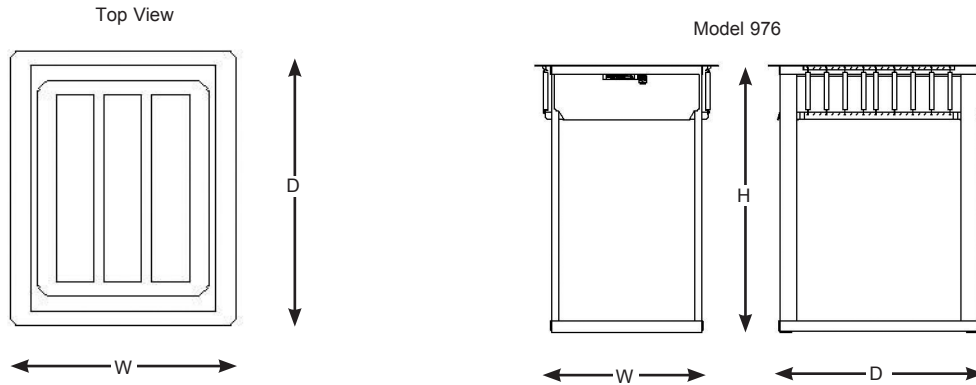
4900 West Electric Avenue • West Milwaukee, WI 53219 U.S.A.

800-558-8565 • 414-902-6400 • Fax 414-902-6446 • info@eLakeside.com • www.eLakeside.com/foodservice

Models
 973
 976
 977
 97725

Tray & Glass Rack Dispensers

Self-Leveling - Counter Drop-In



AutoCAD drawings available through KCL CADalog

Model Information

Model	Maximum Capacities		Overall Size			Counter Cut-out Size	Ship Weight		
			W	D	H		Lbs.	(kg)	
973 Open Sides	Racks*	6 ea.	10" x 20" (254 x 508)	14-5/8" (371)	23-1/4" (591)	28-1/4" (718)	13-1/16" X 21-5/16" (332 x 541)	38	(17.2)
976 Open Sides	Trays	150 ea.	14" x 18" (356 x 457) 15" x 20" (381 x 508)	19-3/8" (492)	23-1/4" (591)	28-1/4" (718)	18" X 21-5/16" (457 X 541)	46	(20.9)
977 Open Sides	Racks*	12 ea. 6 ea.	10" x 20" (254 x 508) 20" x 20" (508 x 508)	23-1/4" (591)	25-3/16" (640)	28-1/4" (718)	21-5/16" X 23-13/16" (541 X 605)	47	(21.3)
97725 Open Sides ADA Height	Racks*	10 ea. 5 ea.	10" x 20" (254 x 508) 20" x 20" (508 x 508)	23-1/4" (591)	25-3/16" (640)	25-1/4" (641)	21-5/16" X 23-13/16" (541 X 605)	45	(20.4)

*Rack capacity based on rack size: 4" (120) high rack.
 Measurements in () denote metric millimeters, unless otherwise specified.



Lakeside Manufacturing, Inc.
 4900 West Electric Avenue • West Milwaukee, WI 53219 U.S.A.
 800-558-8565 • 414-902-6400 • Fax 414-902-6446
 info@eLakeside.com • www.elakeside.com/foodservice