



4184 E. Conant St.
Long Beach, CA 90808
Tel. 800-500-3519
Fax. 310-900-1066
www.turboairinc.com

Project :

Model # :

Item # :

Qty :

Available W/H :

Approval :

Convenient Sinks

HIGH QUALITY 304 STAINLESS STEEL

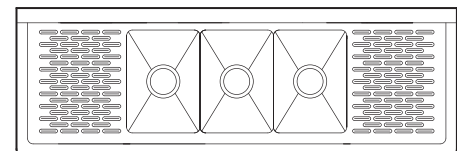
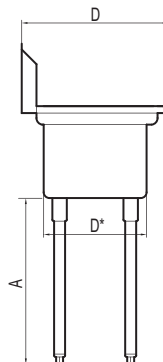
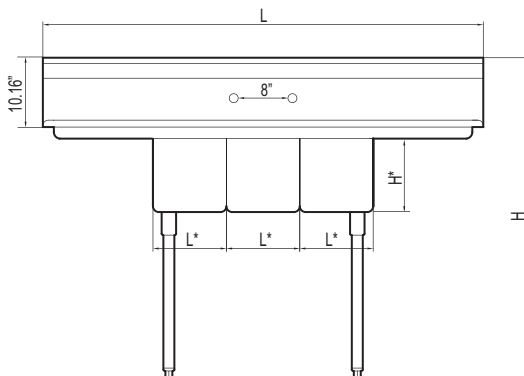
**Model : TSCS-3-21
TSCS-3-23**



* Faucet sold separately

FEATURES & BENEFITS

- Entire assembly is fused, shielded and polished providing a one-piece seamless sink unit
- Welded areas are high-speed belt blended to match adjacent surfaces with the continuity of a satin finish
- All sink compartments are covered on a full 5/8" radius and constructed using state of the art seamless welding techniques
- Die-stamped creased drain boards for positive drainage
- Swirl away bowl drainage
- Galvanized legs and gussets are standard on all models
- Our strainers are built with brass nuts instead of aluminum (standard)
- Adjustable ABS bullet feet
- Crating service available
- Stainless steel legs available (optional)



(unit : inch)

Model	Ga.	Bowl Size (L* x D* x H*)	Drain Board	Length	Depth	Height	Leg (A)	Net Weight*
TSCS-3-21	18	10 x 14 x 10	15	60	20	435/8	222/3	63
TSCS-3-23	18	14 x 16 x 12	15	72	22	435/8	202/3	89

Ver.20200922

Information and specifications are subject to change without notice.

* All net weights are approximated. Crafting fee will be added for shipping via common carriers (Please confirm at the time of the purchase).

