



# 360 Table Mount Pot Rack

## Adjustable Table Mount Pot Rack



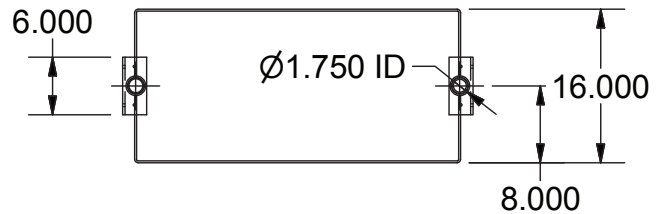
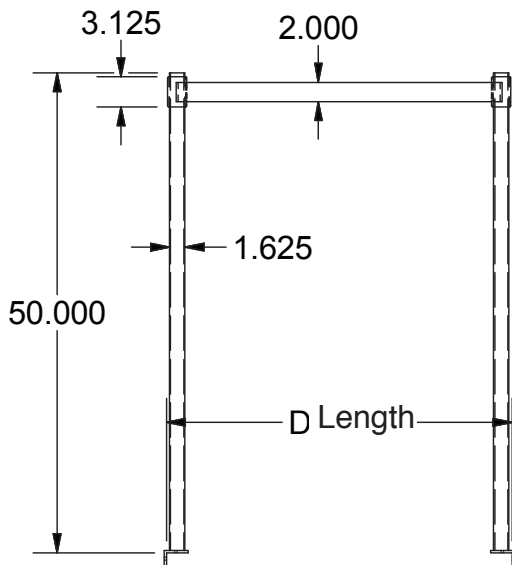
Use your smart phone to scan the above QR code to visit our website:  
[www.bk-resources.com](http://www.bk-resources.com)

### Features:

- Adjustable to any height
- 2 hooks per every 12" of pot rack
- Includes: pot rack and uprights
- Mounts directly to table with self-tapping screws (included)
- Uprights are 50" high



Part Number	Length
APQ-36	36"
APQ-48	48"
APQ-60	60"
APQ-72	72"



PRODUCT DATA SHEET

BK RESOURCES

