



SMS-60

Meat Shredder

From pulled, chunky, to shredded,
this machine does it all.



Ideal for:

- Tacos
- Burritos
- Enchiladas
- BBQ pulled meats
- Turnovers
- Salads
- Feta cheese
- Pizza toppings

Highlights:

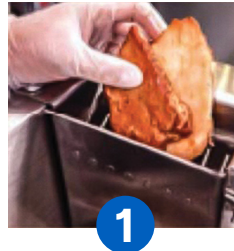
- Increase production
- Saves ingredients and labor
- Shred product in minutes
- Safe and easy to use
- All stainless steel
- Sanitary, easy to clean
- Avoids product dryness
- Avoid messy process
- Less waste
- Always a consistent product

SMS-60 Meat Shredder

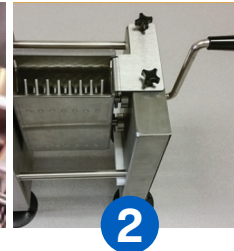
The compact SMS-60 SHREDDER is simple to use.



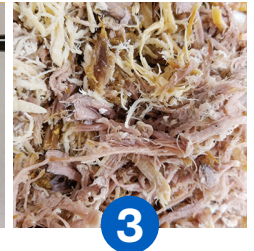
No more messy, time-consuming shredding by hand.



1 Place the protein into chamber



2 Rotate handle



3 Finished product drops into bucket!

Choose from three plates

P1-Medium Shred

S1-Fine Shred

C1-Large Shred



All proteins shred or pull differently depending on preparation of product

The ideal shredder that shreds meats, veggies, and cheeses in seconds!

- BBQ
- Tex Mex
- Sandwich Shops
- Pizza Toppings
- Restaurants

Contact us

978.667.3355 | 800.772.440

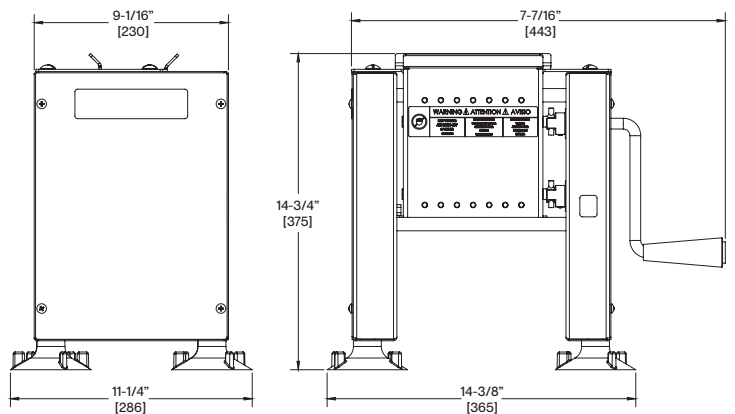
Fax: 978.671.9466

Email: somerset@smrset.com

smrset.com

Somerset Industries, Inc.
137 Phoenix Ave
Lowell, MA 01852 USA

Specifications



Scan the code to learn more about the SMS-60

