

SEAGATE



Three Door Reach-In Freezer SKU: S3F

- Spacious: 65.63 cu ft capacity
- Durable: Stainless steel exterior, aluminum interior
- Efficient: Low energy Usage
- Convenient: Self-closing doors, LED lighting
- Certified: ETL Electrical, ETL Sanitation, DOE
- Mobility: Locking casters
- Powerful: Forced air freezing system with auto defrost
- Sleek: Silver finish, swing doors
- Temp Range: -8°F to 0°F



Refrigerant	R290
Horsepower (HP)	1
Voltage (V)	115V/60hz
Self Closing Door	Yes
Interior Material	Painted Aluminum
Exterior Material	Stainless Steel
Color	Silver
Door Style	Swing
Door Type	Solid
Number of Doors	3
Compressor Location	Bottom Mounted
Shelf Capacity (lbs)	85

Introducing our top-of-the-line three-door reach-in freezer S3F, meticulously designed to deliver exceptional performance and unwavering reliability to meet the demands of your commercial kitchen. This freezer showcases a capacious interior, with dimensions spanning 76 3/4 inches in width, 24 2/5 inches in depth, and 60 2/5 inches in height, providing an impressive storage capacity of 65.63 cubic feet, tailored to accommodate all your essential frozen goods.

Crafted with a robust stainless steel exterior and a pristine painted aluminum interior, this unit harmoniously merges durability with a polished and hygienic aesthetic. The substantial 2-inch insulation, featuring Cyclopentane, guarantees optimum temperature retention, preserving your frozen products in impeccable condition.

Item	Width (Inch)	Depth (Inch)	Height (Inch)
Exterior	80.7	32.1	82.9
Interior	76.8	24.4	60.4

Capacity (Cu Ft)	Number of Shelves	Casters	Hotel Pan Size (inch)
65.63	9	Included	N/A

- Crafted with a sturdy stainless steel exterior, painted aluminum interior, and a reliable 304 stainless steel floor
- Spacious: Equipped with six epoxy-coated shelves, each capable of supporting up to 85 pounds
- Insulated: Features a substantial 2-inch insulation for optimum temperature retention
- Powerful: Driven by a robust 1 HP compressor



Seagate Refrigeration | Burkett Restaurant Equipment and Supplies: 419-720-8186 | sales@burkett.com

Note: Specifications subject to change without notice
Do not use in non-commercial or residential settings

Equipped with three robust epoxy-coated shelves, each with a capacity to support up to 85 pounds, you'll find ample storage space for your ingredients and products. The internal LED lighting guarantees exceptional visibility, simplifying the task of locating items within.

Efficiency is at the core of this freezer's design, utilizing R290 refrigerant and powered by a capable 1 horsepower compressor operating at 115V/60Hz. This translates to remarkably low energy consumption, merely 15.2 KW per 24 hours, leading to significant long-term cost savings.

Hinge Location	Amps (A)	Hertz (Hz)	Temperature Range	Caster Size (inch)
Left/Right/Right	6.2	60	33°F to 40°F	4.88

The **Seagate** brand is synonymous with unwavering quality, and this refrigerator is no exception. Whether you operate within the food service industry or a commercial kitchen, you can rely on this unit to maintain your products at their desired freezer temperatures, preserving their freshness and quality.

Three Door Reach-In Freezer **SKU: S3F**

The self-closing doors not only add convenience but also boost energy efficiency by securely locking when necessary. The unit's mobility is effortlessly enabled by 4 7/8 inch casters, with the option to lock two of them in place to ensure stability.



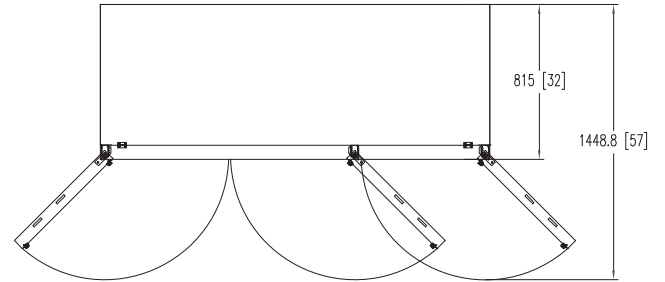
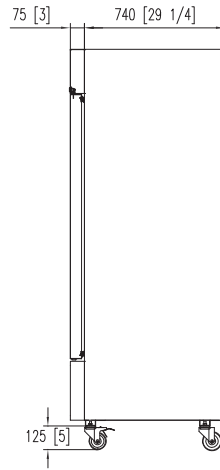
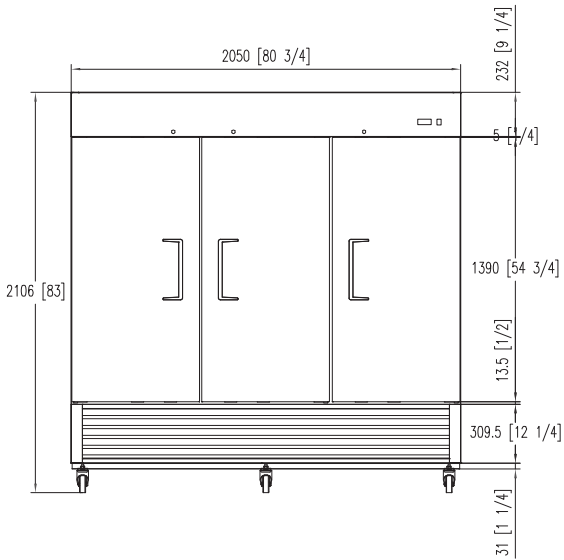
Invest in the future of your business with our S3F three-door reach-in freezer. It embodies a powerful, energy-efficient, and reliable addition to any kitchen, meticulously designed to meet your needs for many years to come.

Technical Data:

FRONT VIEW

SIDE VIEW

TOP VIEW



Three Door Reach-In Freezer SKU: S3F

Seagate's Comprehensive Warranty

