



KITCHEN EQUIPMENT

SERVING THE FOOD INDUSTRY SINCE 1951

60 QT HEAVY-DUTY GENERAL PURPOSE MIXER WITH GUARD AND TIMER

Item: 44390 Model: MX-CN-0060



PERFECT SOLUTION TO MEET YOUR MIXING NEEDS

Boasting a powerful 3000 Watts motor, Omcan's 60-QT heavy-duty general purpose mixer with guard and timer has a 3-speed, gear-driven transmission making it easy to mix ingredients nice and easy.




WARRANTY
PARTS AND LABOR

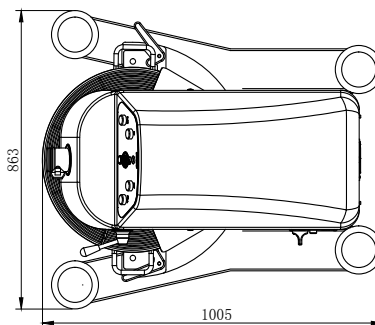
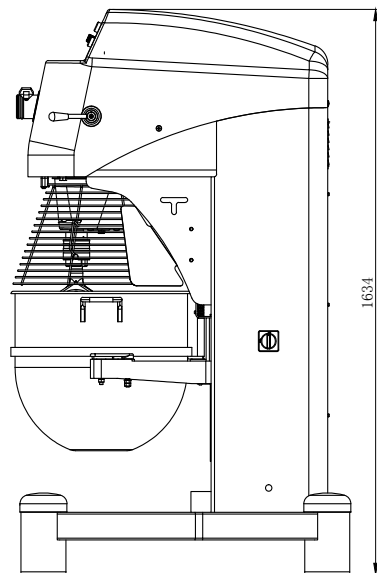


Authorized Dealer

TECHNICAL SPECIFICATIONS

ITEM NUMBER	44390	
MODEL	MX-CN-0060	
POWER	3000 W	
SHAFT RPM	396 275 119	
1ST SPEED 2ND SPEED 3RD SPEED		
CAPACITY	60 QT / 15 Gal	
ELECTRICAL	220V / 60Hz / 3Ph	
DIMENSIONS (DWH)	39.6" x 34" x 64.3" 1005 x 863 x 1634 mm	
NET WEIGHT	1040.58 lbs. / 472 kg.	
PACKAGING DIMENSIONS	43" x 37.4" x 71.1" 1091 x 949 x 1807 mm	
PACKAGING WEIGHT	1239 lbs. / 562 kg.	

TECHNICAL DRAWINGS WITH DETAILED DIMENSIONS



OMCAN INC.

Telephone: 1-800-465-0234

Fax: (905) 607-0234

Email: sales@omcan.com

Website: www.omcan.com



Follow us to keep up to date with the latest news and offers

