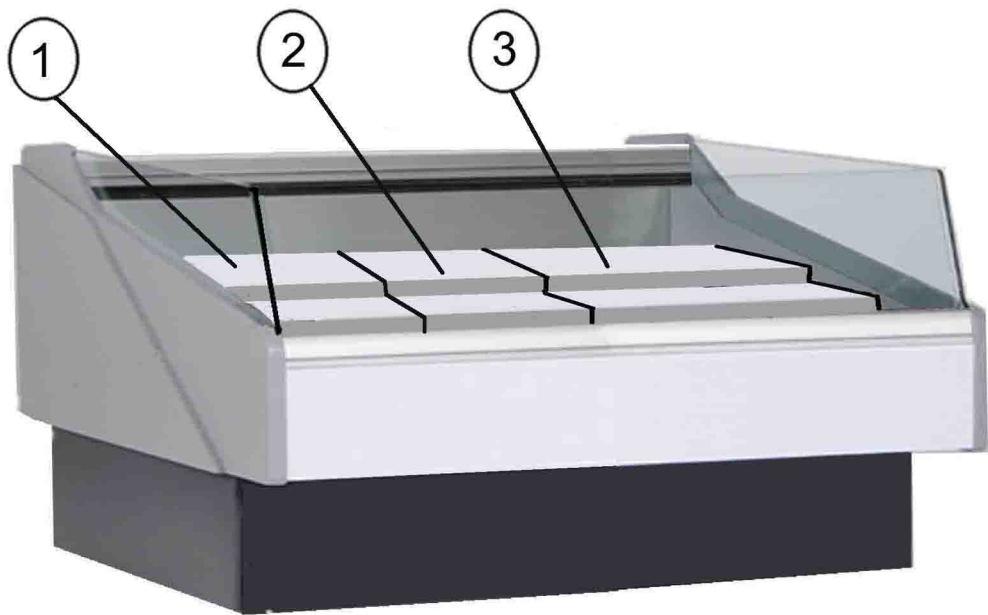
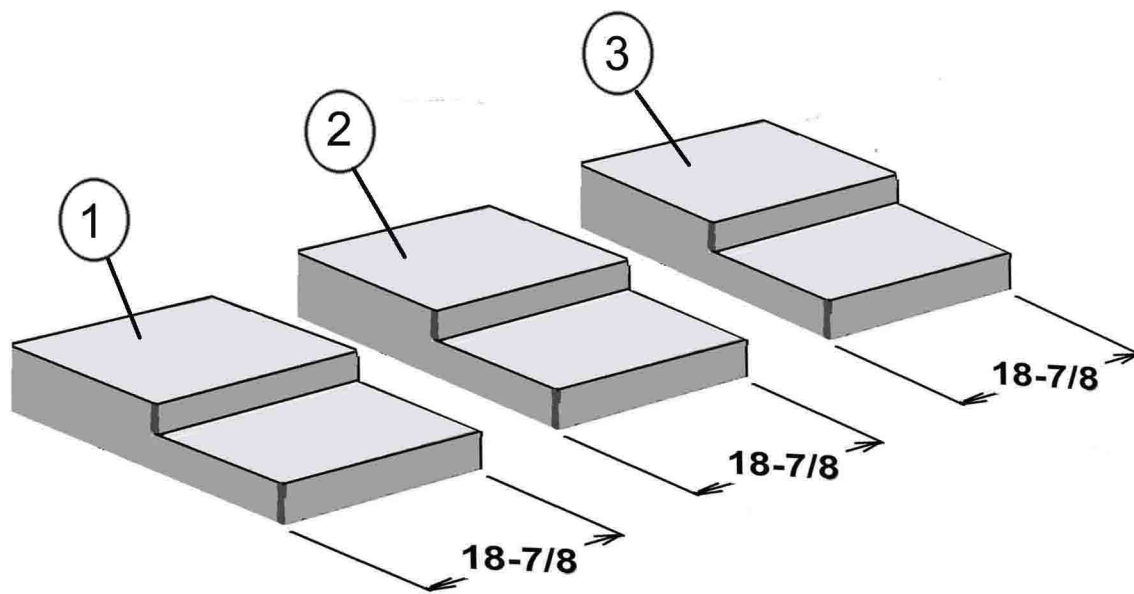
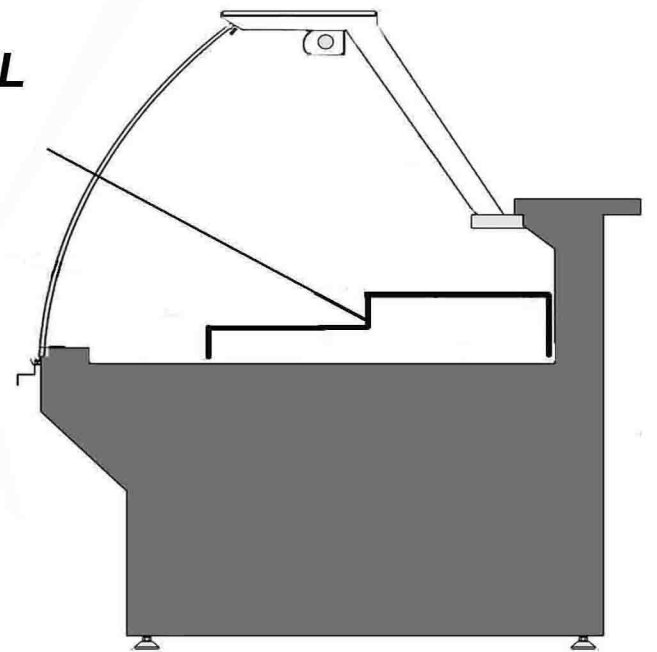


## KT012E

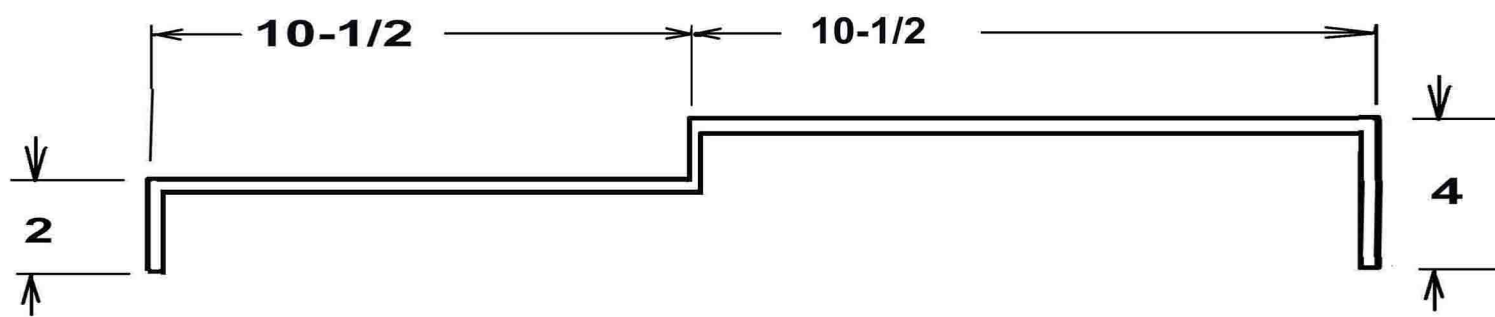
## (2) LEVEL STEP SHAM - GRAY



(2) LEVEL STEP SHAM



**CASES USED ON**  
**KFM/KPM - 60**



NUMBER	DESCRIPTION	QTY
1	18-7/8" x 20-7/8" (2) LEVEL STEP SHAM	1
2	18-7/8" x 20-7/8" (2) LEVEL STEP SHAM	1
3	18-7/8" x 20-7/8" (2) LEVEL STEP SHAM	1