



NORDKAPP

ice shaver



Nordkapp

- Crushes ice in 4 different sizes for use in sorbets, crushed ice drinks, cocktails, fish preservation, etc
- Ice expulsion by centrifugal force
- Stainless steel jug
- Four position regulation system
- Powerful air-cooled motor with gear drive
- Safety interlock on lid

Features

Technical:

- For both fine and coarse crushed ice. Ideal for frozen cocktails and to serve food on a bed of ice.
- Air-cooled motor with gear transmission.

Safety

- Safety interlock on lid for automatic cut-out when lid is lifted.

Specifications

Construction:

die-cast aluminum base, stainless steel jug, food-grade ABS outlet and stainless steel blades.
Stainless steel housing

Motor:

150 W, direct transmission.

Electrical:

120V AC, 60Hz, 3 A (220V, 50Hz available on request).

Plug & Cord:

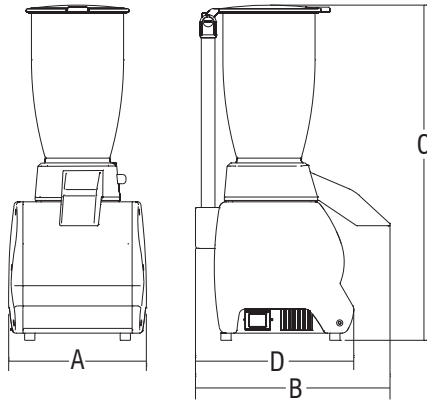
Attached, flexible, 3 wire SJT AWG 18, 6'4" long.

Controls:

ON/OFF rocker switch.



Certified to UL Standard 763 and NSF Standard 169
Certified to CSA Standard C22.2



4-position ice thickness lever



Blade detail

	Power	Power source	Speed	Jug capacity	Receiving container capacity	A	B	C	D	Net weight	Shipping	Gross weight
	watt		r.p.m.	oz.	oz.	inch.	inch.	inch.	inch.	lbs.	inch.	lbs.
Nordkapp	150	120V AC, 60Hz, 3A	800	68	101	8 ^{5/64"}	11 ^{7/32"}	19 ^{11/32"}	9 ^{1/4"}	11	16 ^{5/32"} x 11 ^{1/32"} x 22 ^{3/64"}	17



SIRMAN USA, Inc. 9490 Franklin Avenue Franklin Park, IL 60131 U.S.A.
Toll free: 866-643-6872

Phone: +1 847-288-9500
Fax: +1 844-836-7076

sirmanusa@sirman.com
www.sirman.com