



RESOURCES

# Portable Hot Food Buffet Station

## Steam Tables



Use your smart phone to scan the above QR code to visit our website: [www.bk-resources.com](http://www.bk-resources.com)

### Features:

- 2, 3, 4, or 5 Portable Hot Food Buffet Station that accomodates full size food pans used dry or wet (Water pan sold seperately)
- Locking Casters make it easy to move
- Dual Sided Cafeteria Style Sneeze Guard
- Locking Storage and Secured Thermostatic Controls (Behind Doors)
- 3/4" NPT Drains with Removable Screens
- 240V



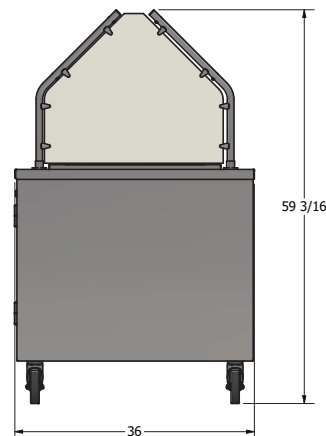
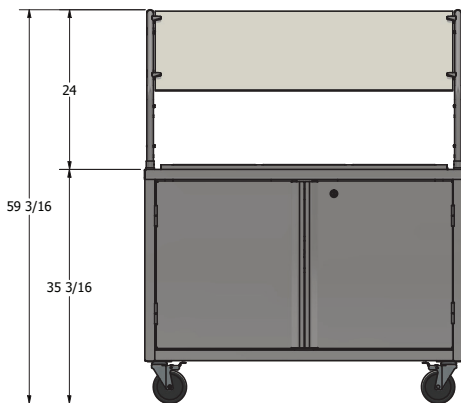
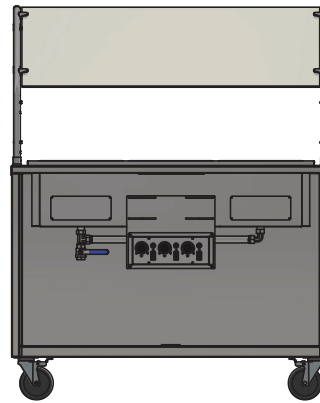
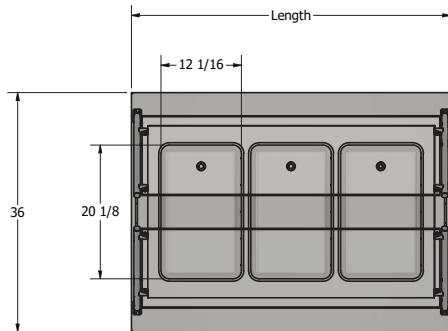
### Material:

- 20 Ga. Stainless Steel
- Top and Well Liner: 18 Ga T-304 Stainless Steel for Corrosion Resistance and Easy Cleaning

### Warranty:

- 1 Year

Model	Wells	Unit Size (L x W x H)	Voltage	Total Watts	Amps	Plug
FBS-P-H-2	2	48" x 36" x 59 3/16"	240	2000	8.3	NEMA 6-15P
FBS-P-H-3	3	48" x 36" x 59 3/16"	240	3000	12.5	NEMA 6-15P
FBS-P-H-4	4	60" x 36" x 59 3/16"	240	4000	16.7	NEMA 6-20P
FBS-P-H-5	5	84" x 36" x 59 3/16"	240	5000	20.8	NEMA 6-30P



PRODUCT DATA SHEET

RESOURCES

