



Project _____

Item # _____

Quantity _____

Heated Shelf Built-In Flush - Ceramic Glass

Models: HSBF-GL-2418, -3018, -3618, -4818

Give your operation a seamless look with the Heated Shelf Built-In Flush - Ceramic Glass. The bracket mounting hardware gives a true flush mount appearance that will safely hold food hot while blending with your decor. It is a must for buffet lines in cafeterias, restaurants and more!

Standard features

- Model is bottom mount, flush with the countertop
- Recommended for use in metallic counters. For other surfaces, verify that the material is suitable for temperature up to 200°F (93°C)♦
- Standard Black or optional white Ceramic Glass surface
- Blanket-type element with thermostatically-controlled heated base results in uniform heat to extend food holding times.
- Insulation keeps heat at the holding surface while a built-in adjustable thermostat controls surface temperature.
- Available in widths of approximately 24", 30", 36", 48" (610, 762, 914, 1217 mm) and a depth of 18" (457 mm)
- Standard control includes thermostat, lighted rocker switch and mounting brackets
- 3' (914 mm) Conduit is Standard – With ITC Control Boxes only, 6' and 10' (1829, 3048 mm) lengths are available

♦ Hatco is not responsible for counter damage caused by heat from the warmer

HSBF-GL-4818
in standard
Black Glass



HSBF-GL-4818
in optional
White Glass



* Please note that all 48" (1217 mm) units are constructed of two equal sized pieces of ceramic glass that create a seam.

Options (available at time of purchase only)

Ceramic Glass color – Black standard – Non-standard colors are non-returnable
 White

Designer Color for Flush Mount Control Bezel – Stainless Steel standard – Non-standard colors are non-returnable

- Warm Red Black Gray Granite White Granite
- Navy Blue Hunter Green Antique Copper

Control Boxes - with Lighted Power Rocker Switch, cord and plug

- Flush Mount ITC Control Box
- Flush Mount Thermostatic Control Box
- Small Flush Mount ITC Control Box
- Small Flush Mount Thermostatic Control Box

Conduit in lieu of standard 3' (914 mm) (Flush Mount ITC Control Box only)
 6' (1829 mm) conduit 10' (3048 mm) conduit

NOTE: Install Remote Box outside Heat Zone or damage will occur.

■ IFS anti-microbial coatings use naturally-occurring, environmentally sustainable, silver ions to help inhibit the growth of microbes on the powder coated surface. See www.hatcocorp.com/antimicrobial-paint for more information.

For operation, location and safety information, please refer to the Installation and Operating Manual.



HATCO CORPORATION | P.O. Box 340500 Milwaukee, WI 53234-0500 U.S.A. | (414) 671-6350



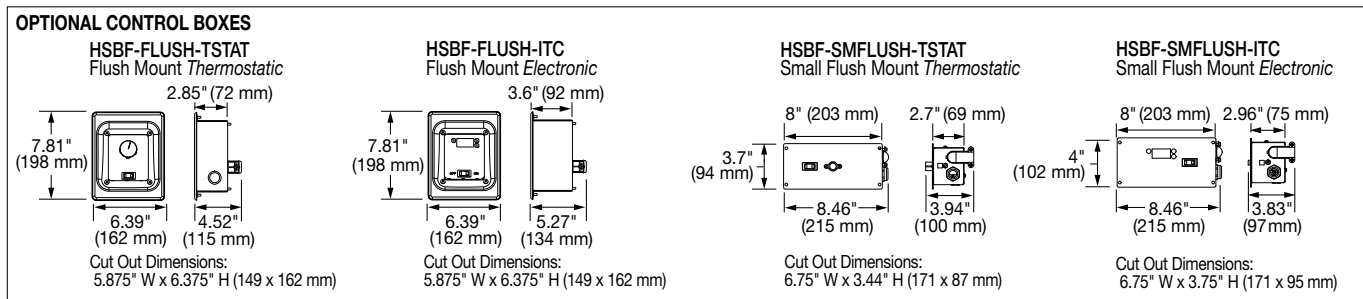
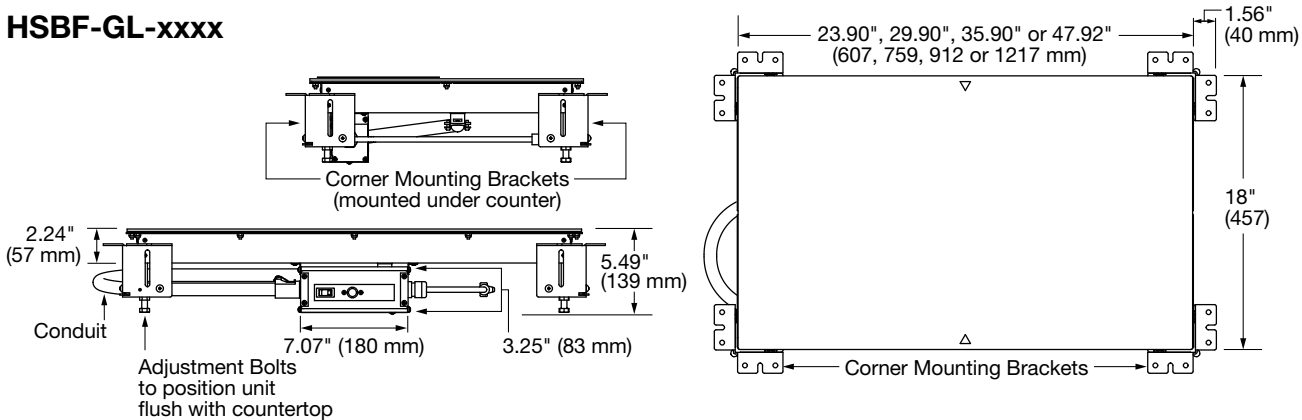
www.hatcocorp.com | support@hatcocorp.com | [Find a Hatco Rep](#) | [Image Library](#) | [Document Library](#) | [Patents](#) | [Chat](#)



Heated Shelf Built-In Flush - Ceramic Glass

Models: HSBF-GL-2418, -3018, -3618, -4818

HSBF-GL-xxxx



SPECIFICATIONS

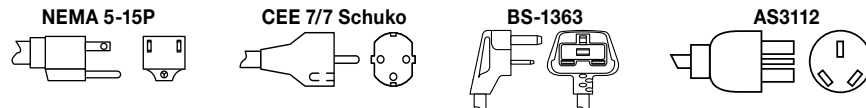
Heated Shelf Built-In Flush - Ceramic Glass

The shaded areas contain electrical information for International models

Model ^M	Overall Dimensions (including brackets) W x D x H	Heated Glass Size W x D	Cutout Dimension with 3/8" (10 mm) radii W x D	Volts [⚡]	Watts	Amps	Plug
HSBF-GL-2418	27.02" x 21.12" x 5.49" (687 x 537 x 139 mm)	23.9" x 18" (607 x 457 mm)	24.25" x 18.38" (616 x 467 mm)	120	425	3.5	NEMA 5-15P
				220	420	1.9	AS3112, BS-1363, CEE 7/7 Schuko
				220 - 230 - 240	420 - 459 - 500	1.9 - 2.0 - 2.1	
HSBF-GL-3018	33.02" x 21.12" x 5.49" (839 x 537 x 139 mm)	29.9" x 18" (759 x 457 mm)	30.25" x 18.38" (768 x 467 mm)	120	525	4.4	NEMA 5-15P
				220	525	2.4	AS3112, BS-1363, CEE 7/7 Schuko
				220 - 230 - 240	525 - 574 - 625	2.4 - 2.5 - 2.6	
HSBF-GL-3618	39.02" x 21.12" x 5.49" (992 x 537 x 139 mm)	35.9" x 18" (912 x 457 mm)	36.25" x 18.38" (921 x 467 mm)	120	630	5.3	NEMA 5-15P
				220	630	2.9	AS3112, BS-1363, CEE 7/7 Schuko
				220 - 230 - 240	630 - 689 - 750	2.9 - 3.0 - 3.1	
HSBF-GL-4818	51.04" x 21.12" x 5.49" (1297 x 537 x 139 mm)	47.9" x 18" (1217 x 457 mm)	48.25" x 18.38" (1226 x 467 mm)	120	850	7.1	NEMA 5-15P
				220	840	3.8	AS3112, BS-1363, CEE 7/7 Schuko
				220 - 230 - 240	840 - 918 - 1000	3.8 - 4.0 - 4.2	

^M Recommended for use in a metallic countertop. For other surfaces, verify material is suitable for temperatures up to 200°F (93°C). [⚡] All voltages non-CE

PLUG CONFIGURATION



PRODUCT SPECS

Heated Shelf Built-In Flush - Ceramic Glass

The Heated Shelf Built-In Flush - Ceramic Glass shall be model ... as manufactured by the Hatco Corporation, Milwaukee, WI 53234 U.S.A.

The Heated Shelf Built-In Flush - Ceramic Glass shall be rated at ... watts, ... volts, and ... inches (millimeters) in overall width. It shall consist of food-safe Ceramic Glass surface shelf assembly, adjustable bracket with cord and plug attached and attached Electronic Temperature Control Box. Options include: White Ceramic Glass,

Designer Color for Flush Mount Control Bezel (Stainless Steel standard), Flush Mount Thermostatic Control Box with Lighted Power Switch (Thermostatic or ITC), Small Flush Mount Control Box (Thermostatic or ITC) and a 6' (1829 mm) or 10' (3048 mm) conduit used with ITC Control Boxes only. All Designer Colors are anti-microbial paint.

Warranty consists of 24/7 parts and service assistance (U.S. and Canada only).

HATCO CORPORATION | P.O. Box 340500 Milwaukee, WI 53234-0500 U.S.A. | (414) 671-6350



www.hatcocorp.com | support@hatcocorp.com | [Find a Hatco Rep](#) | [Image Library](#) | [Document Library](#) | [Patents](#) | [Chat](#)