

"UBDS-18" UNDERBAR DUMP SINK

Slim-Line, 18" Width

FEATURES:

- 18GA Stainless Steel Construction
- Type 300 Stainless Steel With #4 Polish, Satin Finish
- Slim Line 18" Deep Front To Back
- Standard Pre-Drilled Holes On Sides For Attaching Adjacent Units Together
- Removable Faucet Plate With 4" On-Center Splash Mount Faucet Holes
- Perforated Dump Basket 9-1/2"x6"x5" Deep
- Standard Front Inserts For Blender Station Shelf Attachment
- Stainless Steel Front To Back Bracing

SPECIFICATIONS:

- Top: 18GA Type 300 Stainless Steel
- Front Apron: 18GA Type 300 Stainless Steel
- Backsplash: 18GA Type 300 Stainless Steel
- Sides: 18GA Type 300 Stainless Steel
- Fabricated Sink Bowl: 14"x10"x10" Deep
- Bolt On 1-5/8" Stainless Steel Legs For Fast Installation
- 1-1/4" Front To Back Bracing
- 1" Adjustable Stainless Steel Bullet Feet
- Z-Clip To Mount To Wall
- Bolt To Adjacent Underbar Piece
- Mounting Options Allow For Flexible Installation
- Options To Remove Back Or Front And Back Legs For A Clean Installation
- 1-7/8" Drain With Basket
- 1-1/2" NPS Drain Connection



UBDS-18

CERTIFICATIONS:



ACCESSORIES

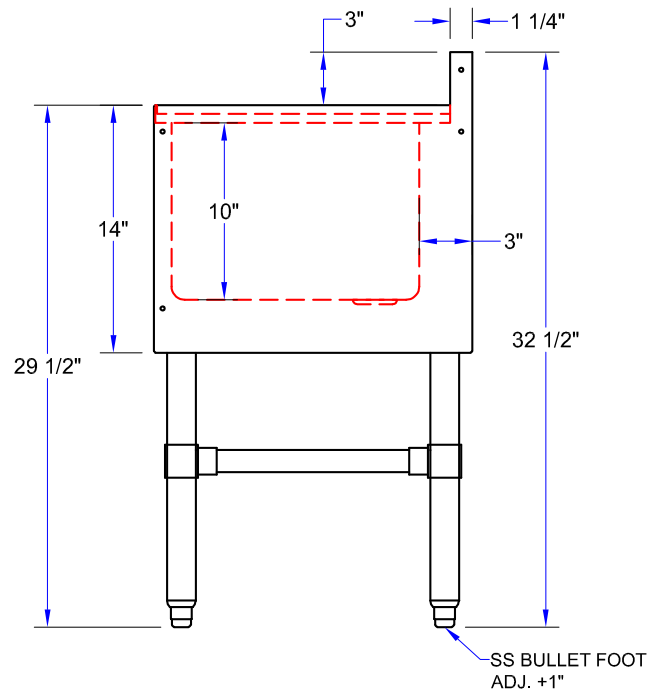
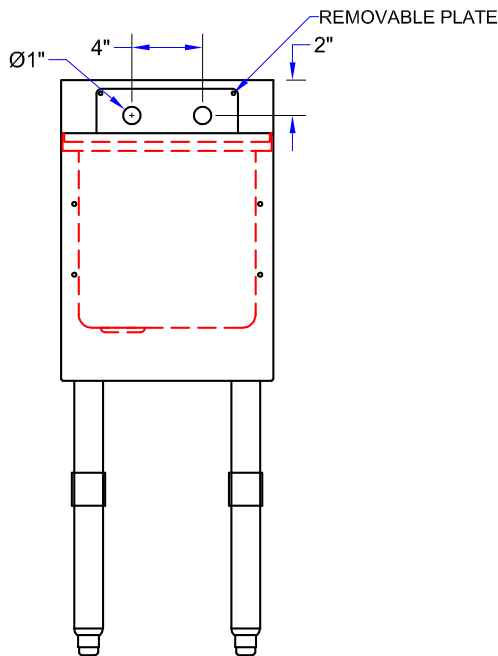
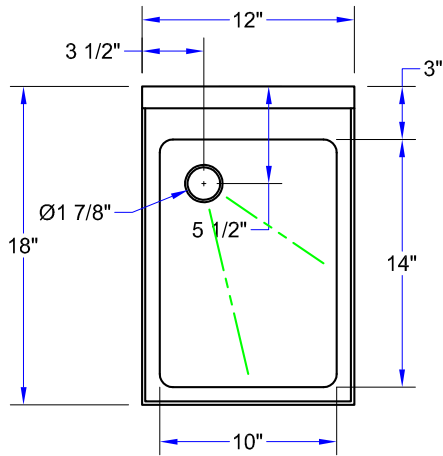
MODEL	DESCRIPTION
PBF-4SM2-6LF	Heavy Duty Faucet
PBF-W2-6LF	Economy Faucet
PB-WL-36	Flexible Shallow Mount Faucet Hoses
UBSS-18-L	Slim-Line Left Hand Side Splash
UBSS-18-R	Slim-Line Right Hand Side Splash
UBBSS-12	Blender Station Shelf

"UBDS-18" UNDERBAR DUMP SINK

MODEL	SIZE (LXWXH)	WEIGHT (LBS)
UBDS-1812	12"x18"x32-1/2"	37

ALL DIMENSIONS ARE TYPICAL. TOLERANCE +/- .500". JOHN BOOS & CO. RESERVES THE RIGHT TO CHANGE SPECIFICATIONS WITHOUT NOTICE.

DETAILED SPECIFICATIONS



"UBDS-18" UNDERBAR DUMP SINK

MODEL	SIZE (LXWXH)	WEIGHT (LBS)
UBDS-1812	12"x18"x32-1/2"	37

ALL DIMENSIONS ARE TYPICAL. TOLERANCE +/- .500". JOHN BOOS & CO. RESERVES THE RIGHT TO CHANGE SPECIFICATIONS WITHOUT NOTICE.