



Project Name:

Location:

Item:

Qty.:

Model:

Model **OFS20/30**

Commercial High Performance Granitas



Model **OFS20/30**
Commercial Granitas

Omega Model OFS Granita Machines are perfectly suited for displaying and serving frozen beverages in any location. These machines are visually appealing and durable, ensuring that not only will they generate customer appetite but will also stand up to continued use. Their attractive design is compounded with a lighted top panel that illuminates the product inside the machine and further adds to its appeal.

OFS Granita Machines are built to withstand daily use in fast-paced environments using durable materials like stainless steel and high-impact plastics. For a machine that customers love and one that will help you sell more, choose an Omega Granita Machine.

FEATURE LIST		
Model:	OFS20	OFS30
Dimensions:	15" W x 18.5" D x 33.25"H 381mm W x 470mm D x 845mm H	24" W x 18.5" D x 33.25"H 610mm W x 470mm D x 845mm H
Motor:	1/3 HP	1/3 HP
Watts:	710	980
Shipping Weight:	109 LB / 50 KG	157 LB / 71 KG
Capacity:	2 3-Gallon Bowls	3 3-Gallon Bowls

Specifications subject to change without notice.

Approvals:

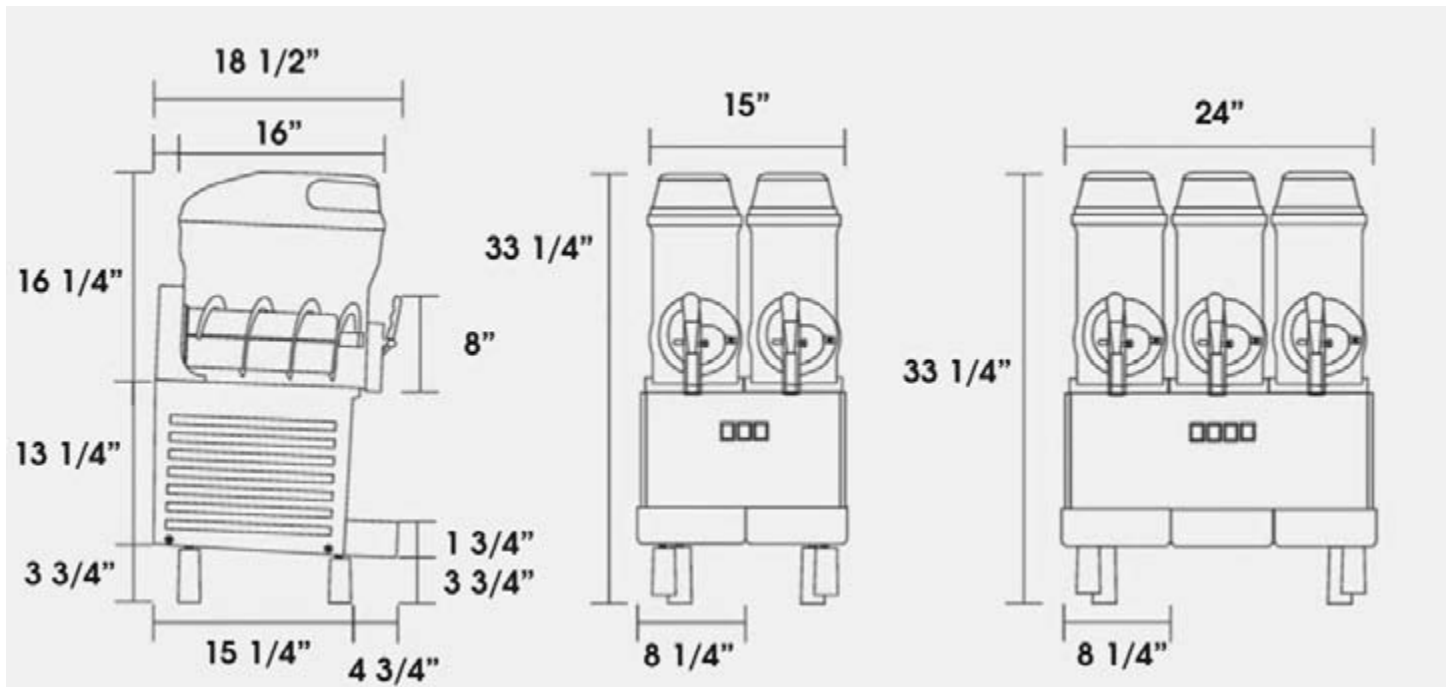




Model **OFS20/30**

Commercial High Performance Granitas

PLAN VIEW



- Lighted Top Panel to Illuminate Products
- Clear and Durable Polycarbonate Containers
- Stainless Steel Cooling Cylinder, Frame, and Front Panel
- Continuous Agitator Stirs Product and Keeps it Fresh
- Powerful 1/3HP Motor
- Removable Drip Trays for Easy Cleaning
- Compact Design Saves Counter Space

