



Profit from the Eagle Advantage®

Specification Sheet

Short Form Specifications

Eagle 1800 Series Ice Chests, model _____.
 Top, front, backsplash, ice bin and sliding cover to be heavy gauge type 304 stainless steel. Fabricated ice bin is fully insulated with 1½" drain. 1½" O.D. galvanized tubular legs with adjustable bullet feet.



#B2IC-18 ice chest

Options / Accessories

- Stainless steel leg kits (see below)
- Speed rails

Optional Stainless Steel Leg Kits for Ice Chests

add suffix #	description
-SL	stainless steel leg assemblies
-SLF	stainless steel leg assemblies & stainless steel feet
-SLG	stainless steel leg assemblies & stainless steel gussets
-SLGF	stainless steel leg assemblies, stainless steel feet & gussets

Item No.: _____
 Project No.: _____
 S.I.S. No.: _____

1800 Series Ice Chests

MODELS:

- | | | |
|---------------------------------------|---------------------------------------|---------------------------------------|
| <input type="checkbox"/> B2IC-18 | <input type="checkbox"/> B2IC-12D-18 | <input type="checkbox"/> B36IC-16D-18 |
| <input type="checkbox"/> B12IC-12D-18 | <input type="checkbox"/> B2IC-16D-18 | <input type="checkbox"/> B42IC-18 |
| <input type="checkbox"/> B12IC-16D-18 | <input type="checkbox"/> B30IC-18 | <input type="checkbox"/> B42IC-12D-18 |
| <input type="checkbox"/> B18IC-18 | <input type="checkbox"/> B30IC-12D-18 | <input type="checkbox"/> B42IC-16D-18 |
| <input type="checkbox"/> B18IC-12D-18 | <input type="checkbox"/> B30IC-16D-18 | <input type="checkbox"/> B48IC-18 |
| <input type="checkbox"/> B18IC-16D-18 | <input type="checkbox"/> B36IC-18 | <input type="checkbox"/> B48IC-12D-18 |
| <input type="checkbox"/> B2IC-18 | <input type="checkbox"/> B36IC-12D-18 | <input type="checkbox"/> B48IC-16D-18 |

Design and Construction Features

- Bullnose front edge.
- Stainless steel type 304 ice bin, backsplash, front, and sliding ice cover.
- Galvanized ends and back panel.
- 1½" (38mm) drain centered, and complete with fiberglass insulation.
- Ice bins are fabricated.
- High-impact, corrosion-resistant, fully-adjustable bullet feet.
- Standard models include 8', 12' and 16" (203, 305 and 406mm)-depth units.

EAGLE GROUP
 100 Industrial Boulevard, Clayton, DE 19938-8903 USA
 Phone: 302-653-3000 • 800-441-8440 • Fax: 302-653-2065
 www.eaglegrp.com
 www.eaglemhc.com

Certifications / Approvals



For custom configuration or fabrication needs, contact our SpecFAB® Division.
 Phone: 302-653-3000 • Fax: 302-653-2065 • e-mail: quotes@eaglegrp.com

EG40.04A Rev. 04/24

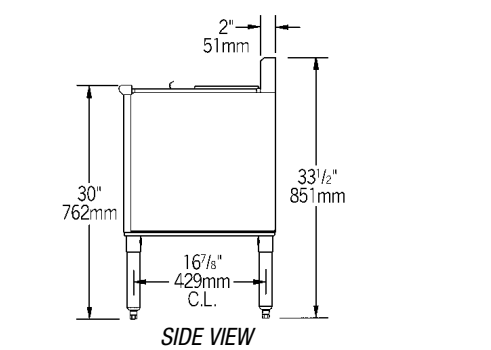
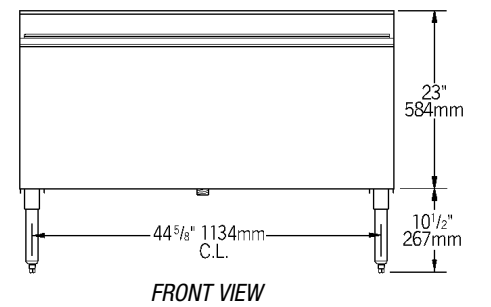
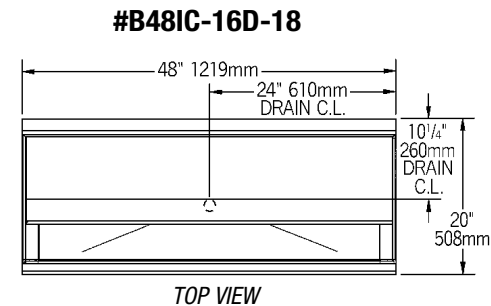
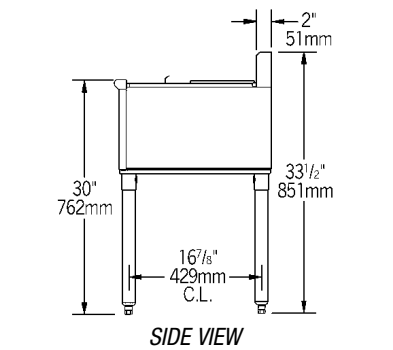
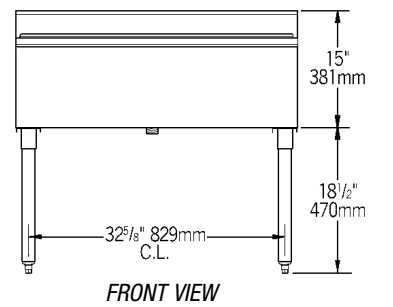
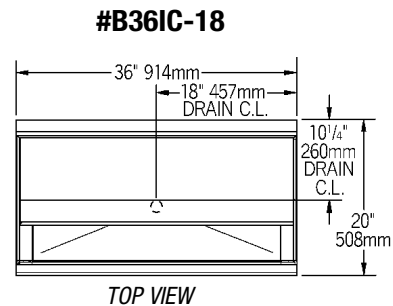
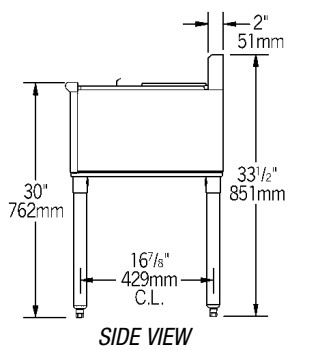
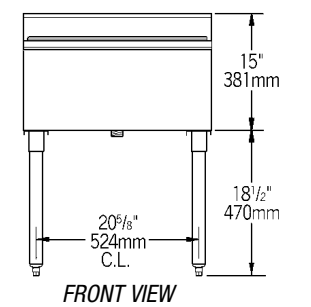
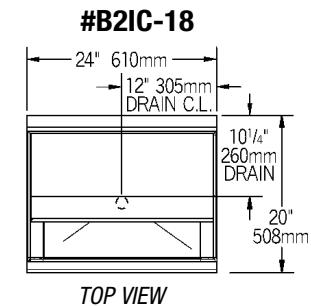
Spec sheets available for viewing, printing or downloading from our online literature library at our websites



Profit from the Eagle Advantage®

Item No.: _____
 Project No.: _____
 S.I.S. No.: _____

1800 Series Ice Chests



model #	width x length in. mm	weight lbs. kg	ice bin depth in. mm	ice capacity lbs. kg
B12IC-18	20" x 12" 495 x 305	42 19.1	8" 203	14 6.4
B12IC-12D-18	20" x 12" 495 x 305	44 20.0	12" 305	22 10.0
B12IC-16D-18	20" x 12" 495 x 305	46 20.9	16" 406	29 13.2
B18IC-18	20" x 18" 495 x 457	48 21.8	8" 203	25 11.3
B18IC-12D-18	20" x 18" 495 x 457	52 23.6	12" 305	38 17.2
B18IC-16D-18	20" x 18" 495 x 457	58 26.3	16" 406	51 23.1
B2IC-18	20" x 24" 495 x 610	52 23.6	8" 203	37 16.8
B2IC-12D-18	20" x 24" 495 x 610	61 27.7	12" 305	55 24.9
B2IC-16D-18	20" x 24" 495 x 610	66 29.9	16" 406	73 33.1
B30IC-18	20" x 30" 495 x 762	60 27.2	8" 203	48 21.8
B30IC-12D-18	20" x 30" 495 x 762	74 33.6	12" 305	71 32.2
B30IC-16D-18	20" x 30" 495 x 762	87 39.5	16" 406	95 43.1

model #	width x length in. mm	weight lbs. kg	ice bin depth in. mm	ice capacity lbs. kg
B36IC-18	20" x 36" 495 x 914	74 33.6	8" 203	59 26.8
B36IC-12D-18	20" x 36" 495 x 914	95 43.1	12" 305	88 39.9
B36IC-16D-18	20" x 36" 495 x 914	101 45.8	16" 406	117 53.1
B42IC-18	20" x 42" 495 x 1067	71 32.7	8" 203	70 31.8
B42IC-12D-18	20" x 42" 495 x 1067	98 44.5	12" 305	105 47.6
B42IC-16D-18	20" x 42" 495 x 1067	104 47.2	16" 406	140 63.5
B48IC-18	20" x 48" 495 x 1219	82 37.2	8" 203	81 36.7
B48IC-12D-18	20" x 48" 495 x 1219	101 45.8	12" 305	121 54.9
B48IC-16D-18	20" x 48" 495 x 1219	113 51.3	16" 406	162 73.5

EAGLE GROUP

100 Industrial Boulevard, Clayton, DE 19938-8903 USA
 Phone: 302-653-3000 or 800-441-8440 • Fax: 302-653-2065
 www.eaglegrp.com • www.eaglemhc.com

Printed in U.S.A.
 ©2024 by Eagle Group
 Rev. 04/24

Spec sheets available for viewing, printing or downloading from our online literature library at our websites

Although every attempt has been made to ensure the accuracy of the information provided, we cannot be held responsible for typographical or printing errors. Information and specifications are subject to change without notice. Please confirm at time of order.