



# COOKING EQUIPMENT

SERVING THE FOOD INDUSTRY SINCE 1951

## 24"/ 36"/ 48" NATURAL GAS INFRARED CHEESE MELTERS

Item: 44411  
Model: FW-CN-0024

Item: 44412  
Model: FW-CN-0036

Item: 44413  
Model: FW-CN-0048



QUICKLY MELT CHEESE  
FOR SOUP, PIZZAS, SANDWICHES  
AND MORE!



**WARRANTY**  
PARTS AND LABOR



Authorized Dealer

# COOKING EQUIPMENT

## 24" NATURAL GAS INFRARED CHEESE MELTERS



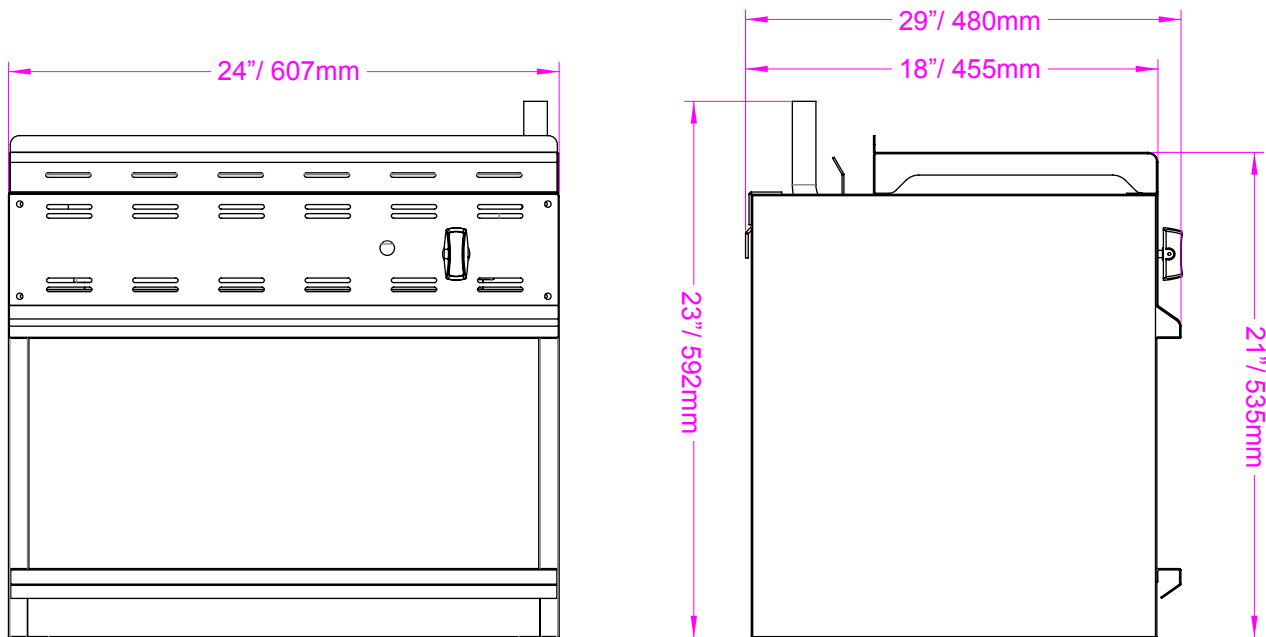
### TECHNICAL SPECIFICATION

ITEM NUMBER	44411
MODEL	FW-CN-0024
BTU/HOUR	20,000
NET DIMENSIONS	24" x 29" x 23" / 607 x 480 x 592mm
GROSS DIMENSIONS	30" x 25" x 30" / 770 x 640 x 770mm
NET WEIGHT	101lb/ 46kg
GROSS WEIGHT	145.5lbs/ 66kg

### FEATURES

- Natural gas infrared burner for better and even heat distribution
- Standing pilot ignition system
- Chrome plated wiring grid rack included
- 3 adjustable rack positions
- Removable oil collector for easy cleaning
- Stainless steel front and sides

### TECHNICAL DRAWING WITH DIMENSIONS



## OMCAN INC.

Telephone: 1-800-465-0234  
 Fax: (905) 607-0234  
 Email: sales@omcan.com  
 Website: www.omcan.com



Follow us to keep up to date with the latest news and offers



# COOKING EQUIPMENT

## 36" NATURAL GAS INFRARED CHEESE MELTERS



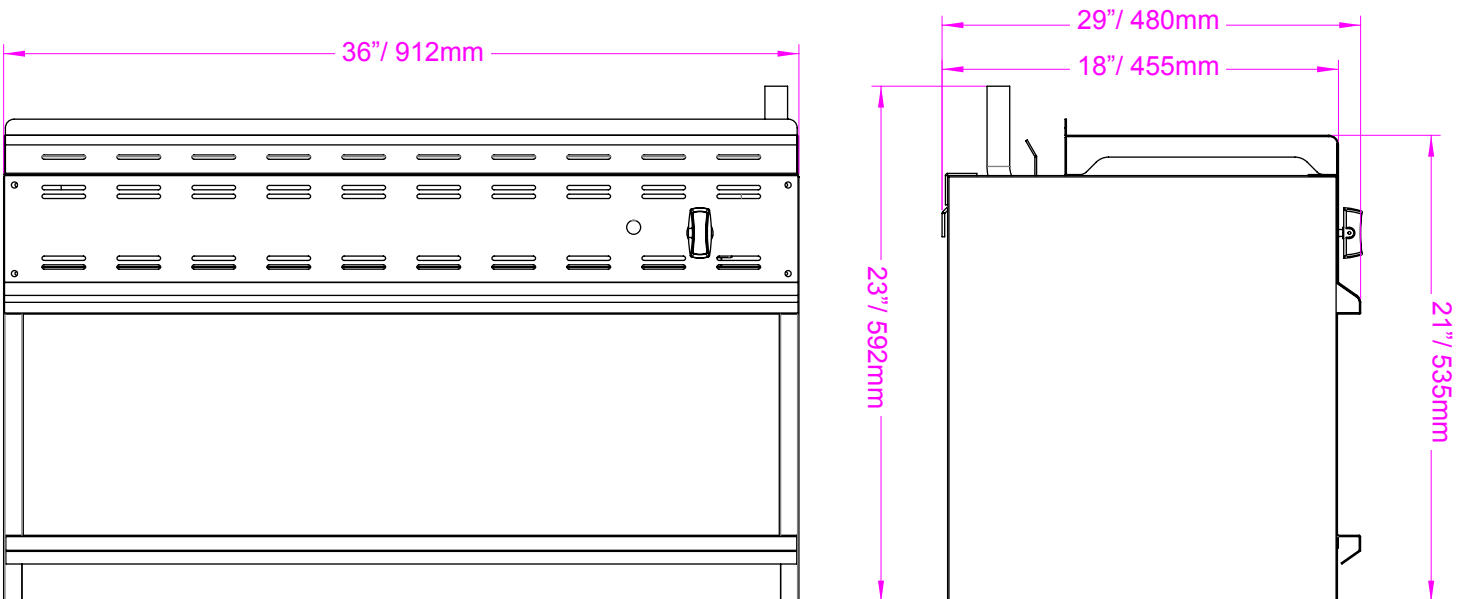
### TECHNICAL SPECIFICATION

ITEM NUMBER	44412
MODEL	FW-CN-0036
BTU/HOUR	30,000
NET DIMENSIONS	36" x 29" x 23" 912 x 480 x 592mm
GROSS DIMENSIONS	42.5" x 25" x 30" 1080 x 640 x 770mm
NET WEIGHT	139lb/ 63kg
GROSS WEIGHT	196lb/ 89kg

### FEATURES

- Natural gas infrared burner for better and even heat distribution
- Standing pilot ignition system
- Chrome plated wiring grid rack included
- 3 adjustable rack positions
- Removable oil collector for easy cleaning
- Stainless steel front and sides

### TECHNICAL DRAWING WITH DIMENSIONS



### OMCAN INC.

Telephone: 1-800-465-0234  
 Fax: (905) 607-0234  
 Email: sales@omcan.com  
 Website: www.omcan.com



Follow us to keep up to date with the latest news and offers



# COOKING EQUIPMENT

## 48" NATURAL GAS INFRARED CHEESE MELTERS



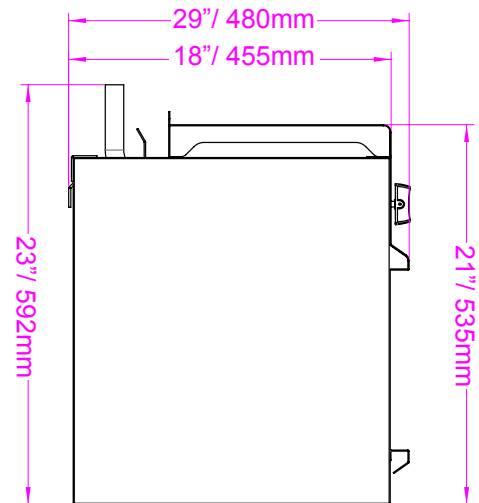
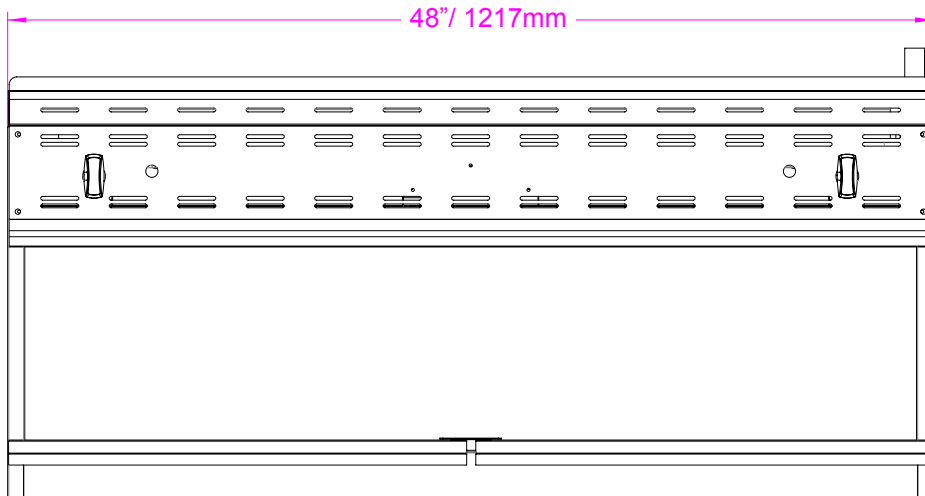
### TECHNICAL SPECIFICATION

ITEM NUMBER	44413
MODEL	FW-CN-0048
BTU/HOUR	40,000
NET DIMENSIONS	48" x 29" x 23" 1217 x 480 x 592mm
GROSS DIMENSIONS	54" x 25" x 30" 1380 x 640 x 770mm
NET WEIGHT	185lb/ 84kg
GROSS WEIGHT	251lb/ 114kg

### FEATURES

- Natural gas infrared burner for better and even heat distribution
- Standing pilot ignition system
- Chrome plated wiring grid rack included
- 3 adjustable rack positions
- Removable oil collector for easy cleaning
- Stainless steel front and sides

### TECHNICAL DRAWING WITH DIMENSIONS



## OMCAN INC.

Telephone: 1-800-465-0234  
 Fax: (905) 607-0234  
 Email: sales@omcan.com  
 Website: www.omcan.com



Follow us to keep up to date with the latest news and offers

