

"E1S8-2D" E-SERIES COMPARTMENT SINKS

1 Compartment w/2 Drain Boards - 18GA S.S. w/Galvanized Legs

FEATURES:

- 18GA Stainless Steel
- Type 300 Stainless Steel w/#4 Polish, Satin Finish
- 12" Or 14" Deep Bowls
- All Corners, Both Vertical & Horizontal, Coved At 3/4" Radius
- Bottoms Of Bowls Formed For Drainage To 3-1/2" Diameter Die Stamped Opening
- Full Length 9-3/4" High Boxed Backsplash, w/2" Return To Wall At 45 Degree & 1" Tile Edge
- 1-1/8" Faucet Holes In Backsplash
- All Outside Corners Of Assembly Are Bullnosed To Provide Safe, Clean, & Polished Edge
- Standard Galvanized Legs 1-5/8" Diameter

SPECIFICATIONS:

- Top: Stainless Steel Sinks Are Tig Welded, Exposed Welds Are Polished To Match Adjacent Surface
- Base: Galvanized Steel
- Bowls & Top: 18GA Type 300 Stainless Steel w/#4 Polish, Satin Finish
- Legs: 1-5/8" Round O.D. Galvanized Steel
- Gussets: Galvanized Steel
- Feet: 1" Plastic Bullet Feet



E1S8-1824-14T24

CERTIFICATIONS:

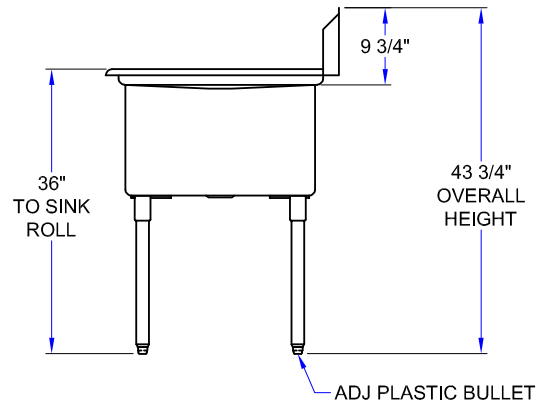
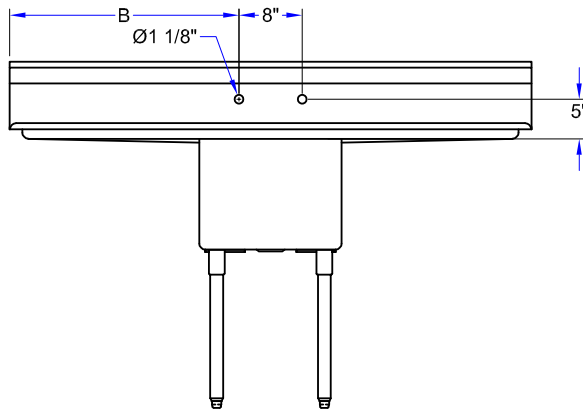
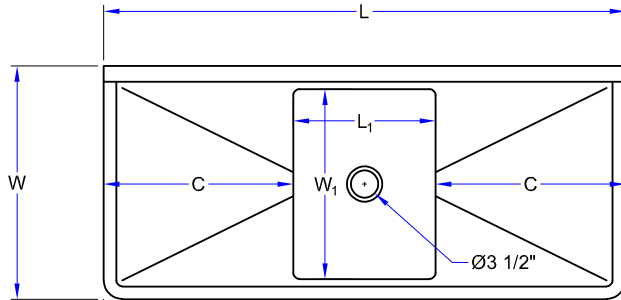


"E1S8-2D" E-SERIES COMPARTMENT SINKS

MODEL	BOWL DEPTH	OVERALL LENGTH (L)	OVERALL WIDTH (W)	INSIDE LENGTH (L')	INSIDE WIDTH (W')	A	B	C	WT. (LBS)
E1S8-18-12T18	12"	54"	23-1/2"	18"	18"	11-15/16"	23"	18"	54
E1S8-1620-12T18	12"	52"	25-1/2"	16"	20"	12-15/16"	22"	18"	55
E1S8-15-14T15	14"	45"	20-1/2"	15"	15"	10-7/16"	18-1/2"	15"	42
E1S8-1824-14T24	14"	66"	29-1/2"	18"	24"	14-15/16"	29"	24"	71
E1S8-24-14T24	14"	72"	29-1/2"	24"	24"	14-15/16"	32"	24"	76

ALL DIMENSIONS ARE TYPICAL. TOLERANCE +/- .500". JOHN BOOS & CO. RESERVES THE RIGHT TO CHANGE SPECIFICATIONS WITHOUT NOTICE.

DETAILED SPECIFICATIONS



"E1S8-2D" E-SERIES COMPARTMENT SINKS

MODEL	BOWL DEPTH	OVERALL LENGTH (L)	OVERALL WIDTH (W)	INSIDE LENGTH (L')	INSIDE WIDTH (W')	A	B	C	WT. (LBS)
E1S8-18-12T18	12"	54"	23-1/2"	18"	18"	11-15/16"	23"	18"	54
E1S8-1620-12T18	12"	52"	25-1/2"	16"	20"	12-15/16"	22"	18"	55
E1S8-15-14T15	14"	45"	20-1/2"	15"	15"	10-7/16"	18-1/2"	15"	42
E1S8-1824-14T24	14"	66"	29-1/2"	18"	24"	14-15/16"	29"	24"	71
E1S8-24-14T24	14"	72"	29-1/2"	24"	24"	14-15/16"	32"	24"	76

ALL DIMENSIONS ARE TYPICAL. TOLERANCE +/- .500". JOHN BOOS & CO. RESERVES THE RIGHT TO CHANGE SPECIFICATIONS WITHOUT NOTICE.