



**"WE MAKE THE KITCHEN BETTER!"**

**ATOSA USA, INC.**

**Toll Free: 855-855-0399 Email: info@atosausa.com**

www.atosa.com | www.atosausa.com

California, Colorado, Florida, Georgia, Illinois,  
New Jersey, Ohio, Texas, Washington

# Direct Draw Keg Coolers

## Standard Features

- Stainless steel exterior & interior
- Electronic Temperature Controller
- Maintains temperatures between 35°F – 38°F
- Heavy duty Embraco compressor with environmentally friendly R290 refrigerant
- Slide out compressor assembly for easy maintenance
- Stainless steel drip tray(s)
- Recessed door handle(s)
- Dual tap tower(s) standard
- Interior light(s)
- Magnetic door gasket(s) standard for positive door seal
- Manifold and ball taps included
- Door lock(s) standard
- Pre-installed casters
- All models in this series, except MKC23GR can be fitted with 1.2", 1.5", 4", or 5" casters

Models	Half Barrel	Slim Quarter	Quarter Barrel	Sixth Barrel	Corny Keg	The Greg
MKC23GR	1					
MKC23GR		2		2		
MKC23GR			1			
MKC23GR				4		
MKC23GR					4	
MKC23GR						4
MKC58GR	2			2		
MKC58GR		4		4		
MKC58GR			2	2		
MKC58GR				8		
MKC58GR					8	
MKC58GR						8
MKC68GR	3					
MKC68GR		4		5		
MKC68GR			3			
MKC68GR				10		
MKC68GR					10	
MKC68GR						10
MKC90GR	4					
MKC90GR		6		7		
MKC90GR			4			
MKC90GR				14		
MKC90GR					14	
MKC90GR						14

For the best results of food preservation we recommend setting your refrigerator between 35°F to 38 °F

1. Don't forget to leave the unit some room to breathe!
2. Please clean the condenser frequently to give the unit more fresh air.



2 YEAR PARTS AND LABOR WARRANTY  
5 YEAR COMPRESSOR PART WARRANTY

## MODELS:

MKC23GR / MKC58GR / MKC68GR / MKC90GR



**MKC23GR**



**MKC58GR**



**MKC68GR**



**MKC90GR**





**"WE MAKE THE KITCHEN BETTER!"**

**ATOSA USA, INC.**

Toll Free: 855-855-0399 Email: [info@atosausa.com](mailto:info@atosausa.com)

[www.atosa.com](http://www.atosa.com) | [www.atosausa.com](http://www.atosausa.com)

California, Colorado, Florida, Georgia, Illinois,

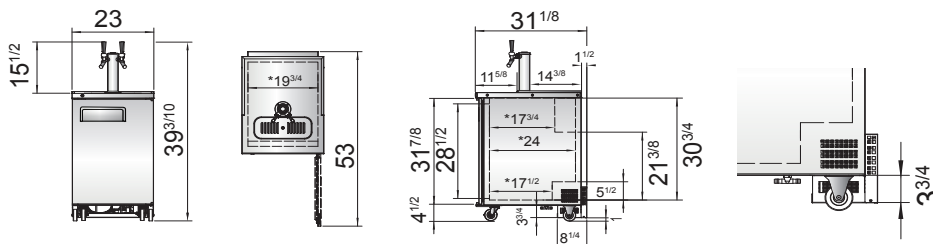
New Jersey, Ohio, Texas, Washington

## SPECIFICATIONS

Models	Door	Capacity (Cu.Ft.)	Shelves	Casters (inch)	Rated Current (A)	Voltage (V/Hz/Ph)	HP	Refrigerant	Exterior Dimensions (inch)	Net Weight (lb)	Gross Weight (lb)
MKC23GR	1	7.1	1	3.5	2.3	115/60/1	1/7	R290	23×31 <sup>1/10</sup> ×39 <sup>1/4</sup>	132	188
MKC58GR	2	17.3	0	2	2.3	115/60/1	1/7	R290	57 <sup>4/5</sup> ×28 <sup>1/10</sup> ×40 <sup>1/10</sup>	209	243
MKC68GR	2	21.5	0	2	2.3	115/60/1	1/7	R290	68×28 <sup>1/10</sup> ×40 <sup>1/10</sup>	234	291
MKC90GR	3	30.1	0	2	2.8	115/60/1	1/5	R290	89 <sup>3/10</sup> ×28 <sup>1/10</sup> ×40 <sup>1/10</sup>	282	357

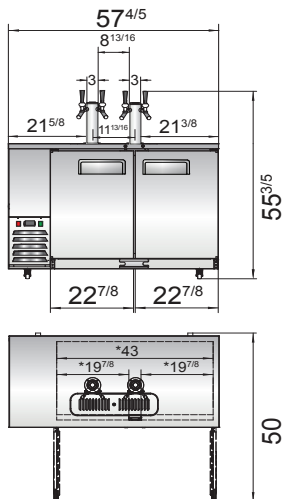
## PLAN VIEW

**MKC23GR**

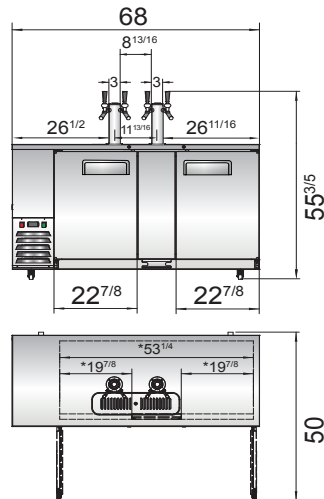


Note: The rear lower skirt extends 3-3/4" downward behind the casters. This design prevents caster removal.

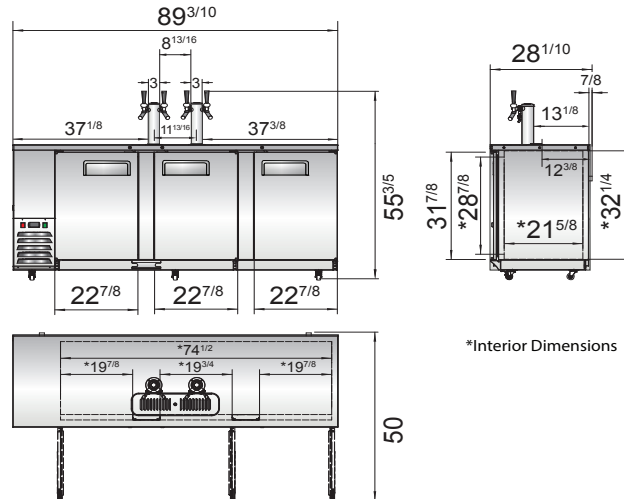
**MKC58GR**



**MKC68GR**



**MKC90GR**



\*Interior Dimensions

Dual tap towers

Stainless steel drip tray

Manifold and ball taps

