



PCM-8L

Features

- 165 one ounce servings per hour
- Attractive design prompts impulse sales
- Built-in 60 watt warmer light and warming deck keeps popcorn fresh
- Twin arm suspended 8 oz. stainless steel kettle and stainless steel frame
- Easy 3 toggle switch operation
- Removable crumb tray
- Powder coated steel top
- Easy to clean removable kettle
- 6 month replacement warranty

Electrical

Voltage	120V
Wattage	1350W
Plug Type	NEMA 5-15P



Dimensions

Unit Dimensions	22"W x 16 1/2"D x 30"H
Kettle Capacity	8 oz.

8 oz. Kettle

This 8 oz. stainless steel kettle heats quickly. Once cooking, the finished popcorn falls to the popper's warming deck, ready for service.



3-Switch Operation

Operation is quite simple, as there are just three switches to control the whole unit: Turn, Heat, and Warming.



Stainless Steel Hinged Cover & Tray

The warming deck keeps your popcorn fresh until you're ready to serve, and the hinged cover makes scooping popcorn easy without opening the cabin doors.

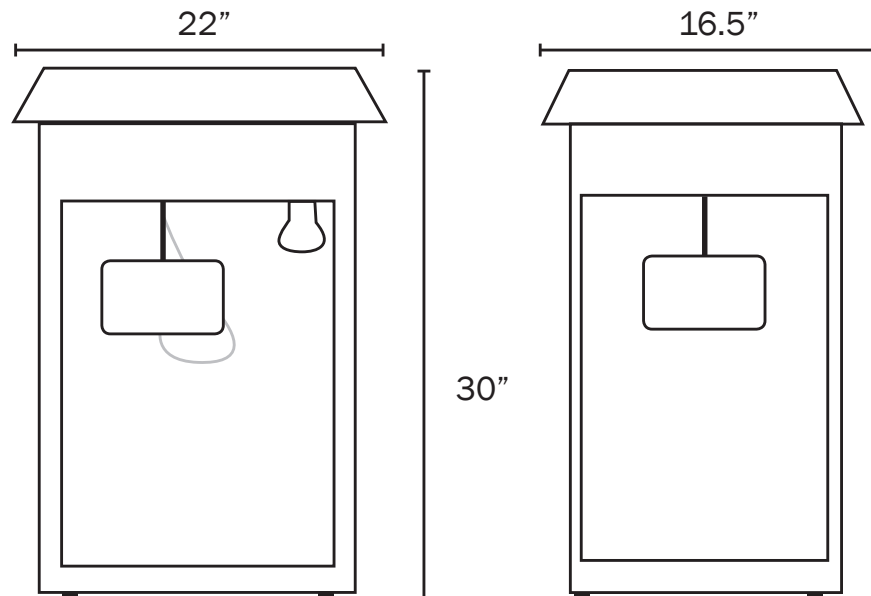


Additional Accessories

This cart features a large, 11" x 14 1/2" side shelf that's perfect for preparing ingredients, holding condiments, or merchandising bags and buckets of popcorn for quick sale at stadiums, fairs, and other events.



Diagram



Front View

Side View