



# PR60B

## 60" Pizza Prep Table



PR60B  
02/29/24  
Item # 13672

### W x D x H

60" x 33.25" x 43.25"\*

\*to work surface with 6" casters



### Dimensions / Capacity

### One-Section PR60B

Interior Storage Capacity (CF) (AHAM)	16.63ft <sup>3</sup>
Overall Width x Depth	60" x 33.25"
Height (including 6" casters)	43.25"
Depth with Cutting Board Installed (including 1" bumper)	36.25"
Door Opening Width x Height	19.5" x 23"
Depth with Door Fully Open (including 1" bumper)	54.75"
Adjustable Shelves	4
Shelf Dimensions (W x D)	21.5 x 25.5"
Pan Capacity (# of 1/3rd size x 4" deep)	8
Maximum Pan Depth	6"
Crated Weight	410 lbs.
Crated Length x Width x Height	63.75" x 35.75" x 45"

### Electrical / Refrigeration

### One-Section PR60B

Voltage	115/60/1
HACR Breaker	15.0 Amps
Electrical Connection (NEMA)	5-15P ⚡
Voltage Range	104-126
Ambient Temp. Range	45° to 100°F
Control Setpoint Range	16° to 36°F (rail) / 28° to 40°F (cabin)
Amperage	4
Energy Consumption (kWh/day) @NSF	5.63
Heat Rejection (BTU/Hr.) @NSF	801
Approx. Nominal Compres. BTU/HR (HP)	2431(1/3HP)
Refrigerant / Charge Amount (oz)	R290 (2.4 oz)

### Options

- 2" Casters (HS-5037, set of 4)
- 4" Casters (HS-5320, set of 4)
- Foot pedal kit (HS-5555, Lft hinge)
- Foot pedal kit (HS-5556, Rt hinge)
- Door locks
- Rail Dividers
- Reversible door (field reversible)
- Overshelves (HS-5639 single)
- Overshelves (HS-5640 double)
- Addtl. Epoxy Shelves (HS-5579, 1pk)
- Addtl. Stainless Shelves (HS-5580, 1pk)
- Stainless steel back panel (factory request)



Valid in United States, Canada, Puerto Rico and U.S. Territories. Contact factory for warranty in other countries.

Item #: \_\_\_\_\_

Project: \_\_\_\_\_

Qty: \_\_\_\_\_

AIA#: \_\_\_\_\_

## Features

► Dual controller system for ideal temperatures in both rail and cabinet

► Improved airflow from back to front of the rail for more even cooling of all pans in the rail

► Night/Day Mode- when lid is open set point drops to keep food cool in rail; when lid is closed set point returns to normal so food can stay in rail overnight without freezing

• Engineered to maintain NSF-7 temperatures in 100°F ambient. (Certified to NSF-7 temperatures in 86°F ambient.)

• Environmentally friendly R290 hydrocarbon refrigerant

• Stainless steel exterior front, sides and top with stainless steel interior sides, back and floor.

• Front breathing air flow design with removable louver for easy air filter cleaning

• Solid state digital controller with temperature alarms and LED display (Fahrenheit or Celsius)

• Exclusive "stepped" door design to protect door gasket

• Spring assisted self-closing doors with stay open feature

• Extruded aluminum flush mount door handle

• Field reversible doors

• Provided with a full complement of polycarbonate plastic 1/3rd size pans, 4" deep and pan dividers

• 60" x 19" x 1/2" thick white polyethylene cutting board is standard

• Evaporator coils are epoxy electrocoated (E-Coat) to help fight corrosion

• Hot gas condensate removal

• Two epoxy coated shelf per section is standard

• Anodized aluminum shelf supports adjustable in 1/2" increments

• Standard with 6" casters (two with brakes)

• 10 ft. cord and plug

If GFCI is required, a GFCI breaker MUST be used in lieu of GFCI receptacle



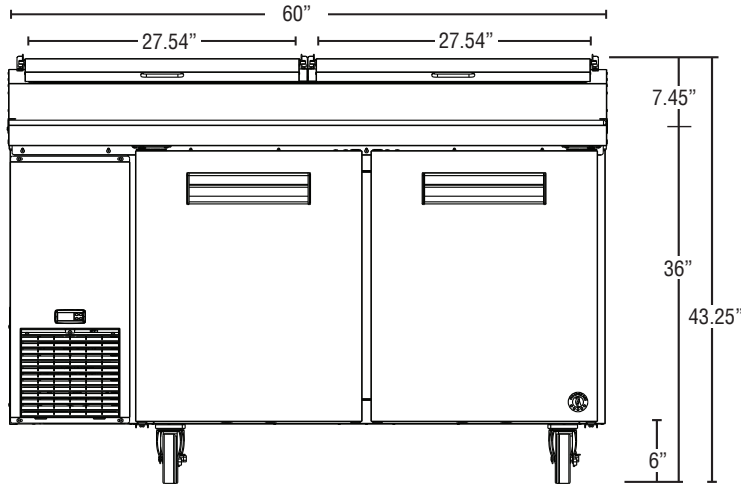
# PR60B

## 60" Pizza Prep Table

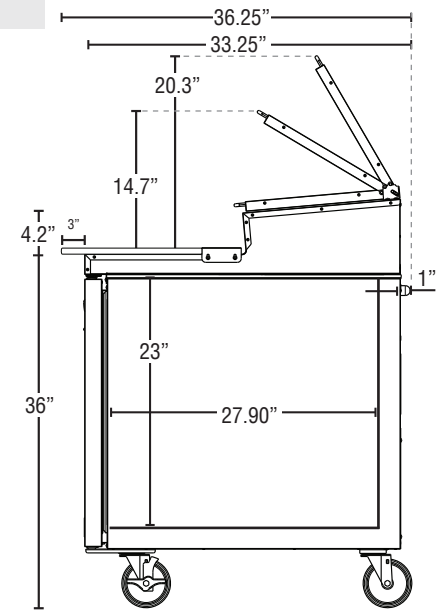


PR60B  
02/29/24  
Item # 13672

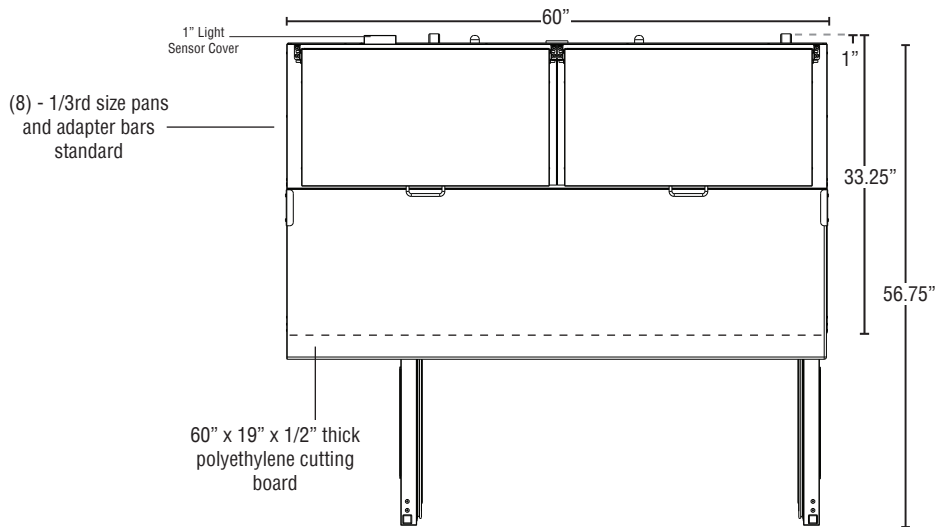
### FRONT VIEW



### SIDE VIEW



### PLAN VIEW



### Cabinet Construction

The exterior cabinet top, front, and sides, are constructed of high quality stainless steel. The exterior back and bottom are constructed of coated steel. The cabinet interior back and sides are stainless steel with an ABS ceiling and stainless steel floor. Two heavy duty epoxy coated shelves are standard. Mounted on anodized aluminum pilasters the shelves are adjustable in 1/2" increments. Cabinet walls and doors are insulated with 2" of foamed in place polyurethane. 6" polyolefin stem casters (two with brakes) are standard. The raised refrigerated rail is constructed of stainless steel interior and exterior (except back is galvanized steel). The rail is air cooled and utilizes a unique ducted air distribution system to distribute air evenly and maintain product temperature at safe levels. The rail will accommodate 1/6th, 1/3rd, 1/2 and full size pans 6" deep. Pans are located 1.5" below the front of the rail to assist in access to food product. An insulated, stainless steel, one piece hinged, lid is standard. Pizza preparation table is supplied with a 60" x 19" x 1/2" thick N.S.F. approved white polyethylene cutting board.

### Door Construction

Door is constructed of high grade stainless steel exterior with an ABS interior liner. Hoshizaki's exclusive "stepped" design protects the recessed gasket while product is removed from the cabinet. Door is provided with a one piece, extruded aluminum, flush mount handle. Spring assisted self-closing door is equipped with a stay open feature past 90 degrees. Snap-in magnetic door gaskets are durable and easily removed for cleaning. Field reversible door hinging is standard.

### Refrigeration System

Front breathing refrigeration system allows unit to be built in to any enclosure with zero clearance at the side or rear. The high efficiency refrigeration system is self-contained with an epoxy electrocoated (E-Coat) evaporator coil for extended life. Condensate removal is accomplished with an energy efficient non-electric evaporation system. A capillary tube controls the flow of environmentally friendly R290 refrigerant through the evaporator. Unit uses a heated, time initiated defrost to eliminate any ice on the evaporator coil. An innovative ducted air distribution system distributes air evenly around food product in the rail. Engineered to maintain NSF-7 temperatures in 100°F ambient. (Certified to NSF-7 temperatures in 86°F ambient.) Pizza preparation tables are supplied with a full complement of N.S.F. approved polycarbonate plastic, 1/3rd size pans, 4" deep and stainless steel adapter bars. 115 volt units are equipped with a ten foot cord and NEMA rated plug (20.0 amps or less).