



PIZZA OVENS

Electric - Countertop

Models CCEPO19 & CCEPO22



Model CCEPO19

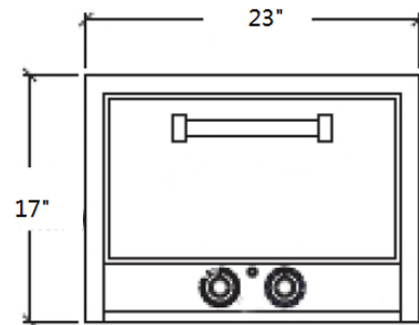
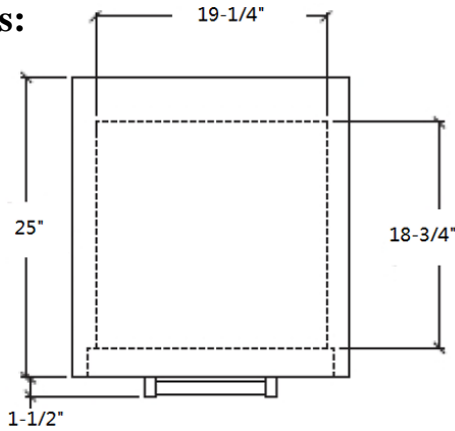
STANDARD FEATURES

- All Stainless steel structure
- Two decks with ceramic hearth
- 3 1/4" deck height
- Compact size for small kitchens
- Temperature range from 280° F- 680° F
- 15 minutes timer with bell
- Gravity door design
- Adjustable stainless steel legs
- Stainless steel handle

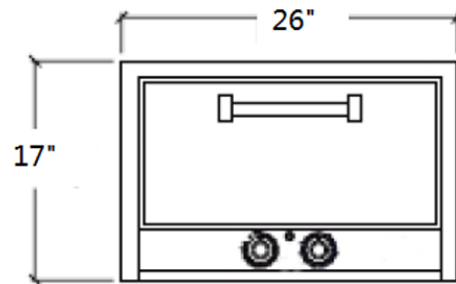
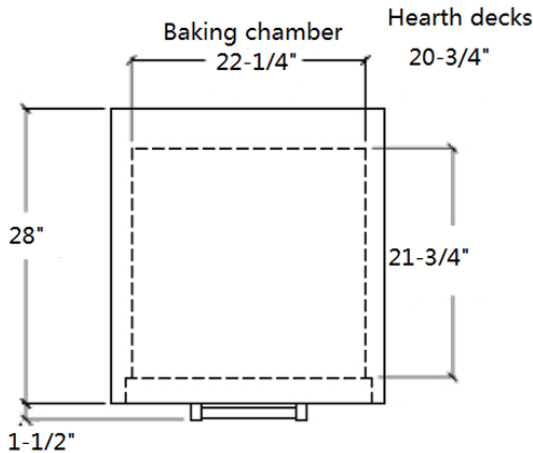
NEMA 6-20 PLUG
208V, 240V/15 Amps



Schematic Drawings: CCEPO19



CCEPO22



| Model | Power | Volts / HZ | Package Size | NEMA plug | Net Wgt. | Gross Wgt. |
|---------|--------|--------------|-----------------|-----------|----------|------------|
| CCEPO19 | 2850 W | 240 V / 60Hz | 25" x 23" x 21" | 6 -20P | 125 lbs. | 145 lbs. |
| CCEPO22 | 3600 W | 240 V / 60Hz | 28" x 26" x 21" | 6 -20P | 180 lbs. | 200 lbs. |