



ICE STORAGE BINS FOR MODULAR ICE MACHINES

KEY FEATURES:

- 22" to 60" widths
- 220 lbs. to 1660 lbs. capacity
- Slope-front and upright types
- High quality construction and components
- High quality 304 stainless-steel and ABS exterior (durable & rust-resistant)
- High density urethane insulation
- Convenient grip handle
- 6" legs



Product Image					
Models	IB-026-22	IB-033	IB-044	IB-085-48	IB-SG1010S-48 IB-SG1300S-48 IB-SG1650S-60
Ice Type	Cube, Half-Cube, Nugget, Flake				
Storage Capacity (lbs.)	265	350	440	816	1000 / 1320 / 1660
Dimensions (in.) W x H x D	22 x 38 x 34	30 x 38 x 34	30 x 46 x 34	48.4 x 48.8 x 33	48 x 56 x 31 48 x 65 x 31 60 x 65 x 31
Wt. (net/shipping) (lbs.)	99.2 / 130	121 / 145	143 / 167	143 / 195	268 / 277 / 340 (shipping)
Warranty	3-Year Parts				5-Year Parts & Labor

Accessories

Model No.	Description	IB-033	IB-44	IB-085-48
Bin Adapters		Compatible Bins		
IBT-2230BV	Bin Adapter For 22" Head On 30" Bin	•	•	
IBT-2248B	Bin Adapter For 22" Head On 48" Bin			•
IBT-3048B	Bin Adapter For 30" Head On 48" Bin			•

Follett bins come with a unique Flex-Top adapter that allows them to be paired with 22", 30", or 48" modular head units without needing to order an additional adapter.

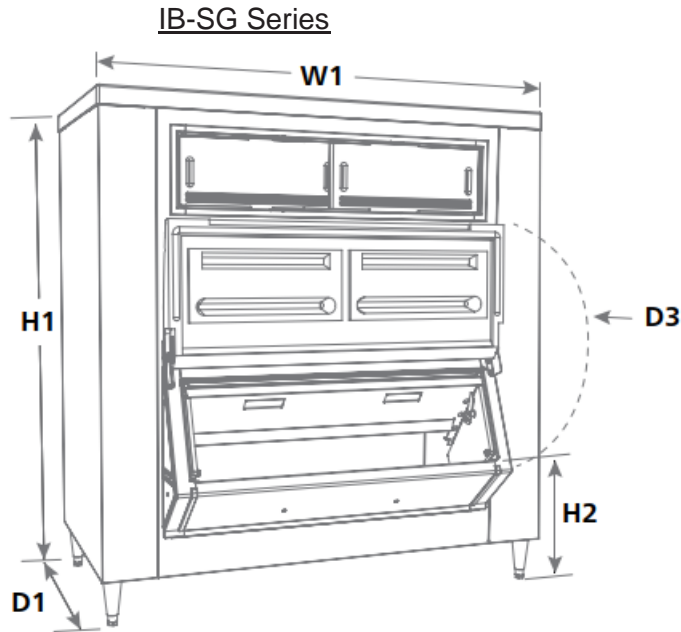
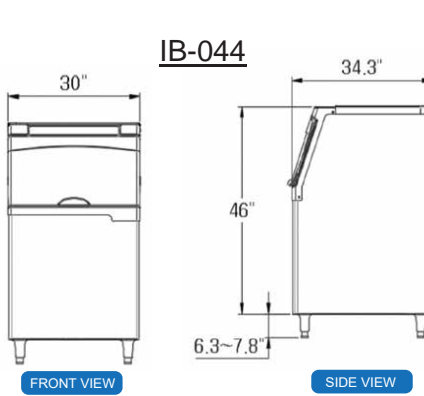
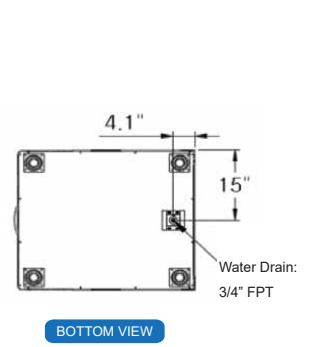
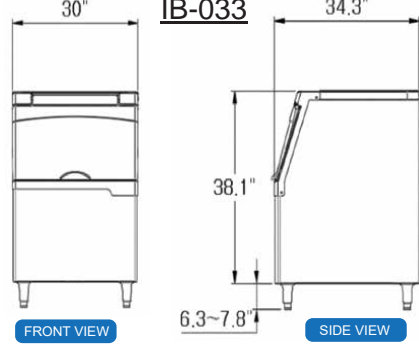
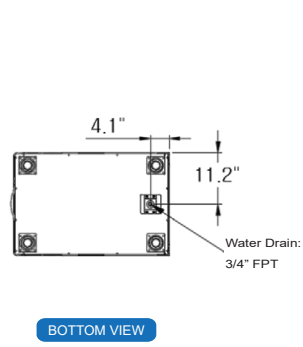
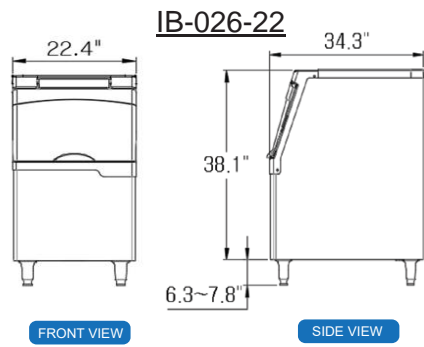


* Design and specifications are subject to change without prior notice.



ICE STORAGE BINS FOR MODULAR ICE MACHINES

PLAN VIEWS:



	W1	D1	H1	D3	H2
IB-SG1010S-48*	48"	31"	56"	49.50"	19"
IB-SG1300S-48*	48"	31"	65"	49.50"	19"
IB-SG1650S-60*	60"	31"	65"	49.50"	19"

* These are Follett bins and come with Flextop adapters that accommodate 22", 30" and 48" modular ice machines.



* Design and specifications are subject to change without prior notice.