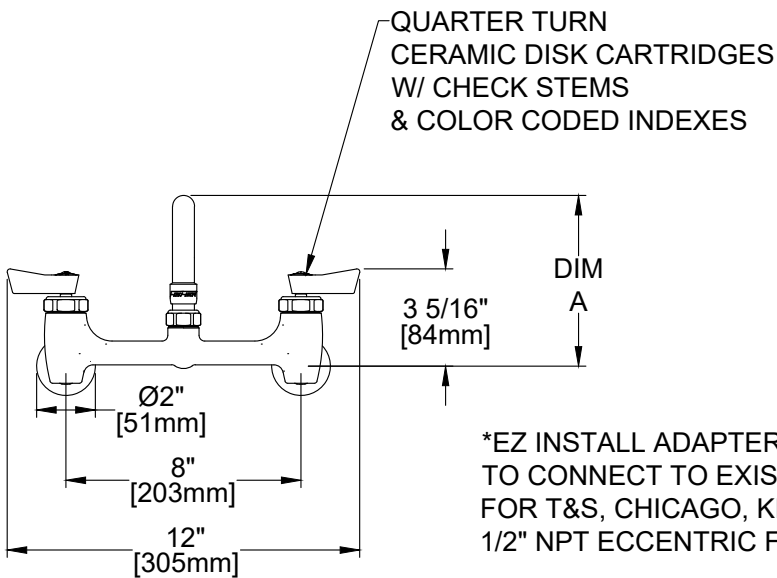
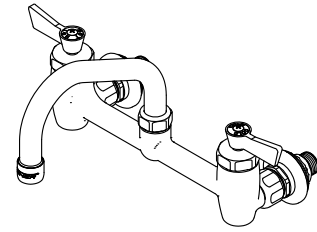
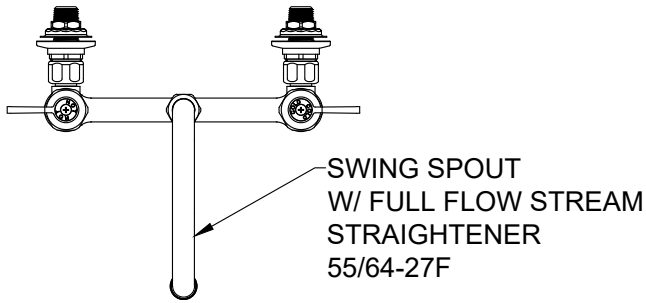
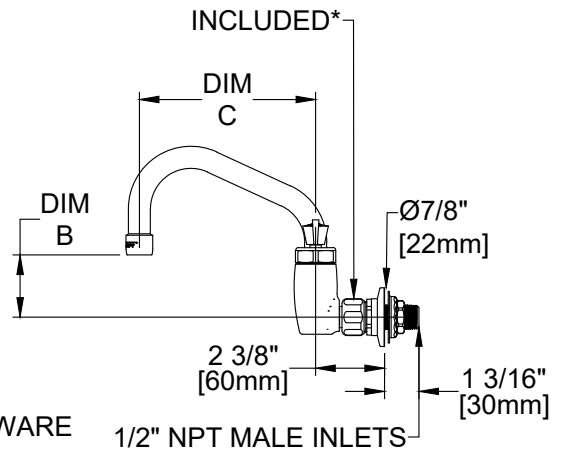


Customer/Wholesaler:	Date:	Job Name:	Model Specified:	Quantity:
Contractor:		Architect/Engineer:		



*EZ INSTALL ADAPTERS TO CONNECT TO EXISTING HARDWARE FOR T&S, CHICAGO, KROWNE, 1/2" NPT ECCENTRIC FEMALE FLANGES



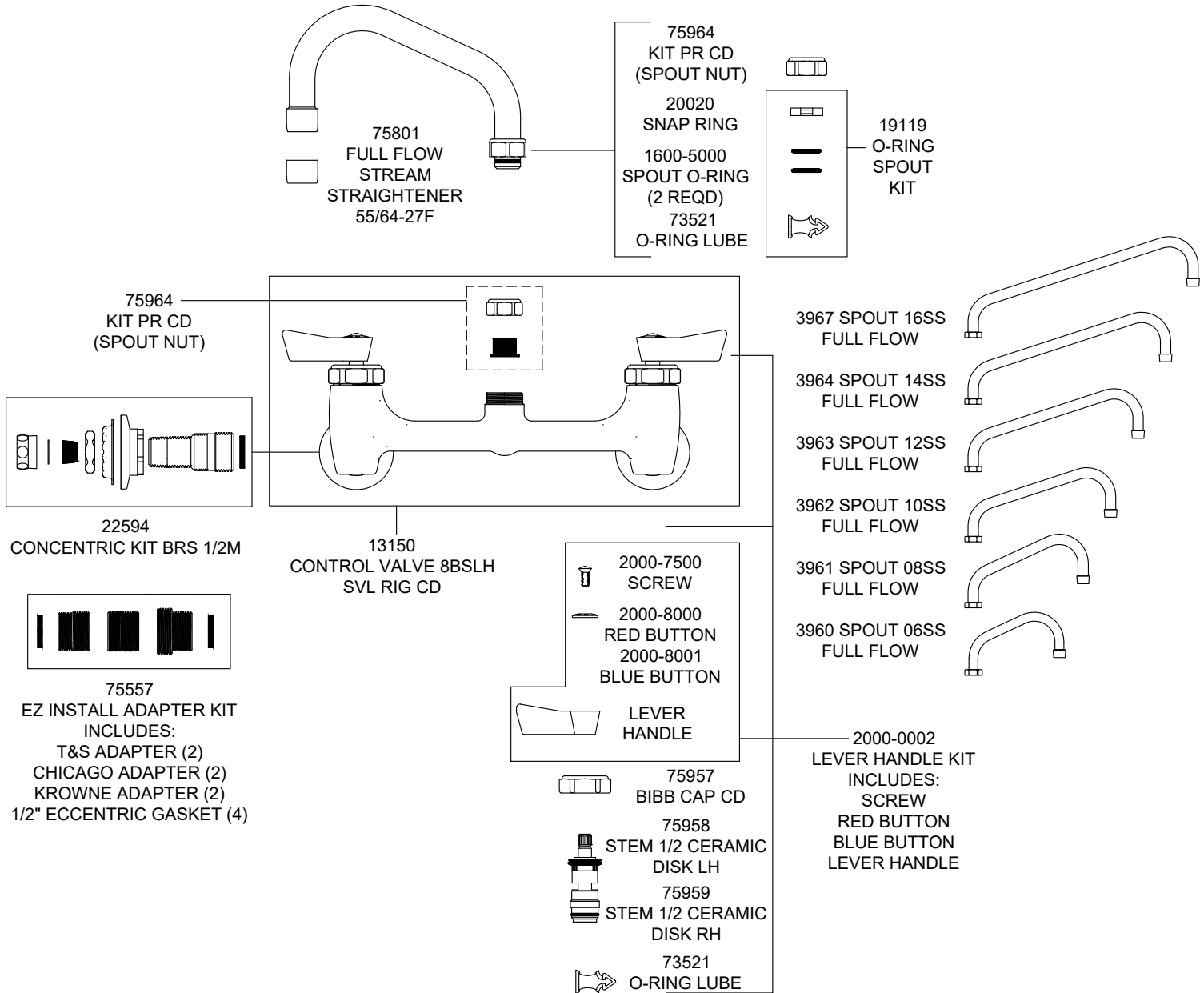
MODEL	DESCRIPTION	DIM A	DIM B	DIM C
64730	FAUCET 8BSCDZLH 06SS	5 13/16" [148mm]	2 1/8" [54mm]	6" [152mm]
64740	FAUCET 8BSCDZLH 08SS	6 3/4" [171mm]	3 1/16" [77mm]	8" [203mm]
64710	FAUCET 8BSCDZLH 10SS	6 3/4" [172mm]	3 1/16" [78mm]	10" [254mm]
64760	FAUCET 8BSCDZLH 12SS	7 7/16" [188mm]	3 11/16" [94mm]	12" [305mm]
64770	FAUCET 8BSCDZLH 14SS	8 1/16" [205mm]	4 3/8" [111mm]	14" [356mm]

PRODUCT SPECIFICATIONS: 8" BACKSPASH FAUCET, QUARTER TURN CERAMIC DISK CARTRIDGES W/ CHECK STEMS, LEVER HANDLES, SWING SPOUT W/ FULL FLOW STREAM STRAIGHTENER 12.5 GPM @ 60 PSI, 1/2" NPT MALE INLETS, INCLUDES EZ INSTALL ADAPTERS

PRODUCT COMPLIANCE:
ASME A112.18.1 / CSA B125.1
NSF 61 - Section 9
NSF 372 (Low Lead Content)

Customer/Wholesaler:	Date:	Job Name:	Model Specified:	Quantity:
Contractor:		Architect/Engineer:		

REPLACEMENT PARTS



PRODUCT SPECIFICATIONS: 8" BACKSPASH FAUCET, QUARTER TURN CERAMIC DISK CARTRIDGES W/ CHECK STEMS, LEVER HANDLES, SWING SPOUT W/ FULL FLOW STREAM STRAIGHTENER 12.5 GPM @ 60 PSI, 1/2" NPT MALE INLETS, INCLUDES EZ INSTALL ADAPTERS

PRODUCT COMPLIANCE: ASME A112.18.1 / CSA B125.1 NSF 61 - Section 9 NSF 372 (Low Lead Content)