

GAS STATIONARY STEAM KETTLE



- GL-20E
- GL-30E
- GL-40E
- GL-60E

OPERATION SHALL BE BY:

- Natural Gas
- L.P. Gas

For operation on 115 VAC, 1 phase 50/60 Hz, A.S.M.E. code stamped for operation up to 50 psi (345kPa).

The steam kettle temperature ranges shall be between 165°F to 275°F (74°C to 135°).

Burners shall be serviceable, high efficiency stainless steel with no shutter adjustment.

OPTIONS & ACCESSORIES AT ADDITIONAL COST

- | | | |
|---|---|---|
| <input type="checkbox"/> 220 VAC, 1 phase, 50/60 Hz. (GKVS-1) | <input type="checkbox"/> Correctional Package | <input type="checkbox"/> Single pantry faucet with swing spout, SF-12 |
| <input type="checkbox"/> 3" (76 mm) draw-off valve with perforated strainer (TVS-3) | <input type="checkbox"/> Stainless steel tri basket, (TBA-1) | <input type="checkbox"/> Double pantry faucet with swing spout, DF-12 |
| <input type="checkbox"/> Etched gallon markings (GM-) | <input type="checkbox"/> Graduated measuring strip (CMS-) | <input type="checkbox"/> Single pantry kettle filler (SP-KF-GK) |
| <input type="checkbox"/> Etched liter markings (LM-) | <input type="checkbox"/> Strainer hook (SH-) | <input type="checkbox"/> Double pantry kettle filler (DP-KF-GK) |
| | <input type="checkbox"/> Solid disc for draw-off valve (TSS-) | |

STANDARD CONSTRUCTION SPECIFICATIONS

Shall be a Crown model GL-20E, GL-30E, GL-40E or GL-60E, gas fired, self-contained steam jacketed kettle, AGA and CGA design certified, NSF approved.

The unit comes standard with electronic ignition and spring assisted hinged cover.

The kettle shall be constructed with an exterior of type 304 stainless steel, #4 sanitary finish and 6" (152mm) stainless steel adjustable legs.

The interior kettle liner shall be a one piece welded construction made with type 316 stainless steel with #4 sanitary finish, 2/3 jacketed and

shall be furnished with a 2" (50 mm) tangent draw off valve with strainer as standard.

The recessed control panel shall be located on the front side of the unit in full view of the operator and easy to use.

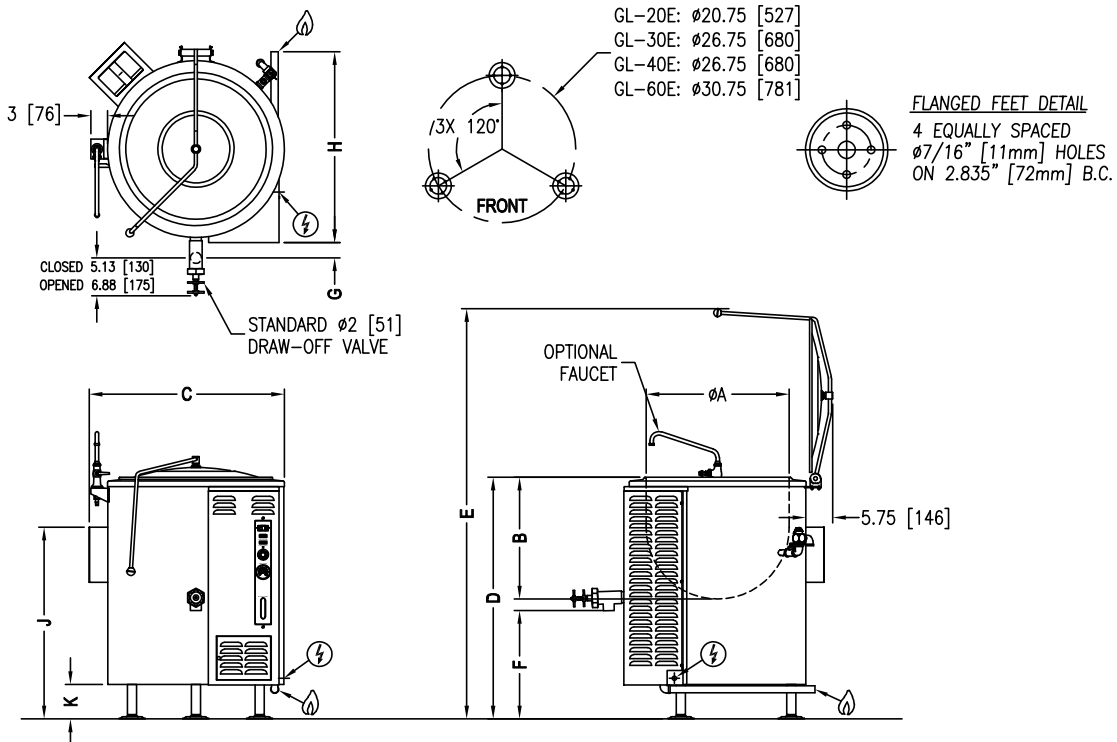
Standard controls include a direct immersion thermostat, water sight glass, cooking light, pressure gauge and low water indicator light. Safety features shall include a low water cut off, pressure relief valve, and pressure switch.

Includes faucet bracket.



Approval Notes: _____

GL



SERVICE CONNECTIONS

- Supply gas through 3/4" pipe. A gas shut-off valve must be installed in supply piping convenient and adjacent to appliance
- Unless other wise specified, Field Wire Electrical Connection to be 120 Volts, 60 Hertz, single phase with grounding wire. Unit furnished with 6' cord and 3 prong plug. Total maximum amps 4.0.

DIMENSIONS

| MODEL | CAPACITY | UNITS | A | B | C | D | E | F | G | H | J | K |
|--------|----------------------------|------------|--------------|-----------------|------------------|------------------|------------------|-----------------|---------------|-----------------|-----------------|----------------|
| GL-20E | 20 gallons (76 liters) | in (mm) | 20" (508) | 18.38" (467) | 31.13" (791) | 40.38" (1026) | 65.38" (1661) | 20" (508) | 3.13" (79) | 24.75" (629) | 31.5" (800) | 6.00" (153) |
| GL-30E | 30 gallons (114 liters) | in (mm) | 26" (660) | 17.75" (451) | 35.5" (902) | 39.5" (1003) | 69.75" (1772) | 19.75" (502) | 2.75" (70) | 34.63" (879) | 34.88" (886) | 6.00" (153) |
| GL-40E | 40 gallons (152 liters) | in (mm) | 26" (660) | 22.13" (562) | 35.5" (902) | 43.88" (978) | 74.63" (1895) | 19.75" (502) | 2.75" (70) | 34.63" (879) | 34.88" (886) | 6.00" (153) |
| GL-60E | 60 gallons (227 liters) | in (mm) | 30" (762) | 24.75" (629) | 39.75" (1010) | 47.38" (1203) | 84.5" (2146) | 20.5" (521) | 2.75" (70) | 34.63" (879) | 36.38" (924) | 6.00" (153) |

GAS CHARACTERISTICS

| MODEL | GAS SUPPLY | | |
|--------------|------------|--------|---|
| | BTU/HR. | kW/HR. | SUPPLY PIPE PRESSURE (W.C.) |
| GL-20/30/40E | 100,000 | 29.3 | Natural 6"-14" (152-356 mm) Propane 11"-14" (279-356 mm) |
| GL-60E | 130,000 | 38.1 | |

* For use on non-combustible floors only.

SPECIFICATIONS

| MODEL | SHIPPING WEIGHT | MINIMUM CLEARANCE | | MODEL | CAPACITY | |
|--------|-------------------|-------------------|---------------------------|--------|-----------|-----------|
| GL-20E | 440 lbs. [200 kg] | SIDES BACK | 6" [152 mm] 2" [51 mm] | GL-20E | 20 Gallon | 76 Liter |
| GL-30E | 575 lbs. [261 kg] | | | GL-30E | 30 Gallon | 114 Liter |
| GL-40E | 600 lbs. [272 kg] | | | GL-40E | 40 Gallon | 152 Liter |
| GL-60E | 720 lbs. [327 kg] | | | GL-60E | 60 Gallon | 227 Liter |

**INTENDED FOR COMMERCIAL USE ONLY.
NOT FOR HOUSEHOLD USE.**

