

U.S. Range

Summit Series Gas Convection Oven

Project _____
Item _____
Quantity _____
CSI Section 11400
Approved _____
Date _____

Models

- SUMG-100
- SUMG-200



Model SUMG-100

Standard Features

- Solid-State control with electro-mechanical timer
- Direct spark ignition with 100% safety shut-off
- Two-speed fan control (high, low) with 0.6 HP fan motor
- Total of 53,000 BTU(15.53 kW) loading per oven cavity
- Natural or propane gas
- Stainless steel front, sides, top, and legs
- 60/40 dependent door design with double-pane thermal window in both doors and interior lighting
- Porcelain enameled oven interior with coved corners
- Five chrome-plated ovens racks on 13-position rack guides
- Double-deck models available, 200 series models
- 1-year limited parts and labor warranty (USA and Canada only)
- 5-year limited door warranty, excluding window (USA and Canada only)

Options & Accessories

- 208 or 240 Volt convection oven motor
- Stainless steel solid doors
- Single window in left-hand door only
- Extra oven racks
- Four swivel casters w/ front brakes
- Four low-profile casters w/ front brakes (double ovens only)
- Open base with rack guides and shelf (stainless steel)
- Direct connect vent
- Gas flex hose with quick disconnect & restraining device
- Back enclosure (stainless steel)
- Removable stainless steel drip pan

Specifications

U.S. Range Summit full-size standard-depth, gas convection oven.

53,000 BTU (15.53 kW) cavity, 0.6 HP fan motor with two-speed fan speed control.

Direct spark ignition.

Natural or propane gas.

Solid-State control with 60-minute timer.

Porcelain enameled oven interior with coved corners, five oven racks and 13-position rack guides.

All model interiors are 29" (736mm) W by 24" (610mm) H, depth is 24" (610mm)

Stainless steel front, sides, top, and legs.

60/40 dependent door design with double-pane thermal windows, and interior lighting.

200 Models are double-deck units.

Specify voltage if other than 115 volt, 60 Hz, 1 phase.

UL, CUL Gas-Fired and NSF Listed.

Note: Ovens supplied with casters must be installed with an approved restraining device.

GAS-FIRED



GAS-FIRED



Summit Series Gas Convection Oven

Garland Commercial Ranges Ltd.
1177 Kamato Road,
Mississauga, Ontario
L4W 1X4 CANADA

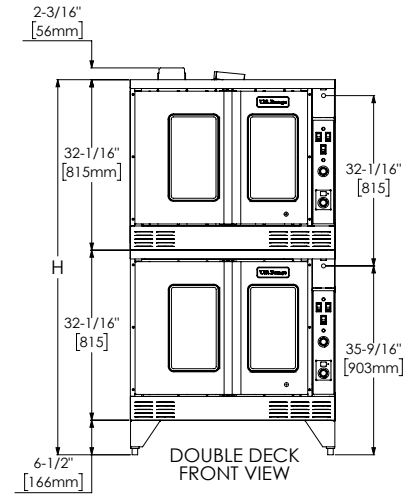
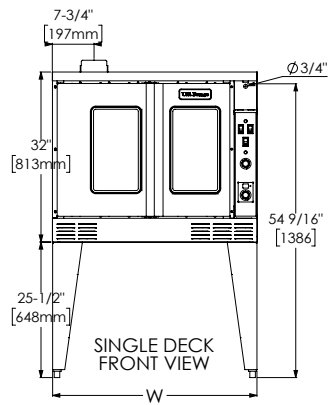
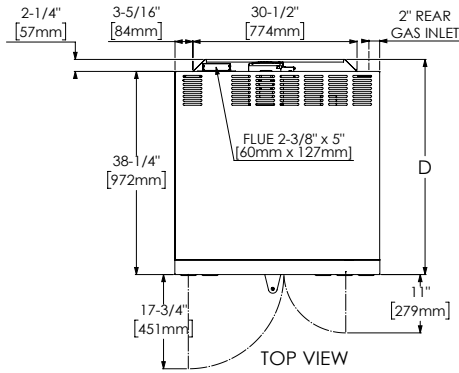
General Inquires 1-905-624-0260
USA Sales, Parts and Service 1-800-424-2411
Canadian Sales 1-888-442-7526
Canada or USA Parts/Service 1-800-427-6668

www.garland-group.com
8112A
06/25



U.S. Range

Summit Series Gas Convection Oven



Gas input ratings shown for installations up to 3000 ft., (915m) above sea level. Please specify altitudes over 3000 ft.

This product is not approved for residential use. Many local codes exist and it is the responsibility of the owner and installer to comply with those codes.

Note: Installation clearance reductions are applicable only where local codes permit.

Model	Int. Dimensions :In (mm)			Ext. Dimensions: In (mm)			Ship Wt Lbs/kg	Ship Dim. Cubic Ft.
	W	H	D	W	H	D (w/motor)		
SUMG-100	29 (736)	24 (610)	24 (610)	38 (965)	57-1/2 (1461)	41-1/4 (1048)	515/230	64
SUMG-200	29(736)	24(610)	24(610)	38(965)	70-1/2 (1791)**	41-1/4 (1048)	1030/465	128

** Height with or without standard casters. Height with low-profile casters (double-deck) is 68-1/2" (1740mm).

Models	Input Ratings, Natural & Propane			Operating Pressure *		Electrical Specifications	
	BTU/hr	kW Equiv.	Gas Inlet	Natural	Propane	120V/1Ph.	240V/1Ph.
Single-Deck	53,000	15.53	(1) @ 3/4" NPT	4" WC (10 mbar)	10" WC (25 mbar)	(1)@9.8A	(1)@ 5.2A
Double-Deck	106,000	31.06	(1) @1" NPT			(2)@9.8A	(2)@ 5.2A

*Maximum Pressure 13.8" WC @ 70°F (21°C)

Installation Notes:			
Combustible & Non-Combustible Wall Clearances:			
Sides	*1" (25mm)	Back	3" (76mm)
*Note: Installations beside units with high heat sources it is recommended to leave 6" (152mm) on the right side of oven. Refer to the installation manual for more detail.			
Entry Clearances: In (mm)			
Crated	47" (1194mm)	Uncrated	32-1/2(826mm)

Notes:

- Standard electrical specifications include motor requirements.
- (120V units) 115V, 0.6 HP, 2-speed motor; 1140 and 1725 rpm, 60Hz.
- (240V units) 200-240V, 0.6 HP, 2-speed motor; 1140 and 1725 rpm, 60 Hz.
- A 6 ft. line cord is provided for each 120V deck with a (NEMA #5-15P) plug.
- US Range recommends a separate 15 AMP circuit for each 120V unit.

Garland/US Range reserves the right to make changes to the design or specifications without prior notice.

Garland Commercial Ranges Ltd.
1177 Kamato Road,
Mississauga, Ontario
L4W 1X4 CANADA

General Inquires 1-905-624-0260
USA Sales, Parts and Service 1-800-424-2411
Canadian Sales 1-888-442-7526
Canada or USA Parts/Service 1-800-427-6668

www.garland-group.com
8112A
06/25

