



G SERIES

2-SECTION GLASS DOOR PASS-THRU REFRIGERATOR



Project Name:	Location:	AIA #:
Item #:	Qty:	Model #:
		SIS #:

G SERIES - STAINLESS STEEL EXTERIOR & INTERIOR



HALF-HEIGHT MODELS | HINGING

- G21004P | Front Left-Right/Rear Left-Right
- G21005P | Front Left-Left/Rear Left-Left
- G21006P | Front Right-Left/Rear Right-Left
- G21007P | Front Right-Right/Rear Right-Right

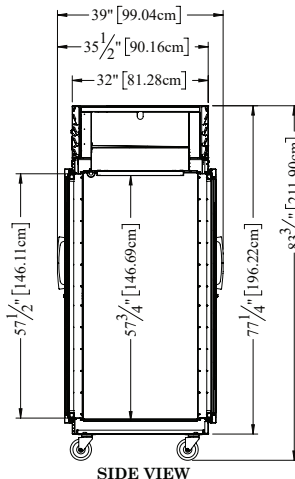
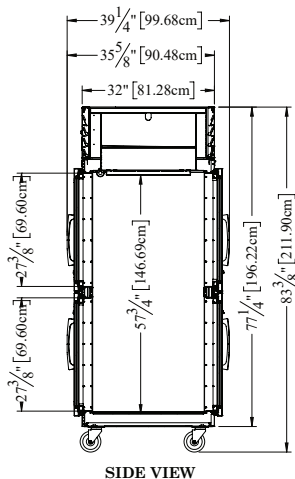
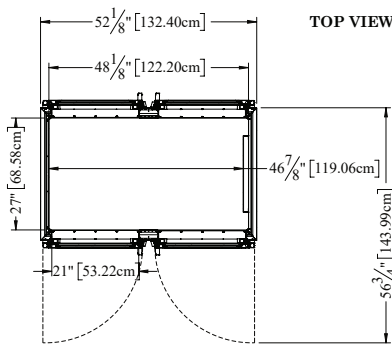
FULL-HEIGHT MODELS | HINGING

- G21014P | Front Left-Right/Rear Left-Right
- G21015P | Front Left-Left/Rear Left-Left
- G21016P | Front Right-Left/Rear Right-Left
- G21017P | Front Right-Right/Rear Right-Right

SPECIFICATIONS

DIMENSIONAL DATA	
Capacity cu. ft.	49.84 (1411 L)
Length in.	52-1/8 (132.4 cm)
Depth in.	32 (81.3 cm)
Overall Height in. ²	83-3/8 (211.9 cm)
ELECTRICAL DATA	
Horsepower ¹	3/4
Amps	7.9
Voltage	115/60/1
NEMA	5-15P
REFRIGERATION DATA	
Refrigerant	R-290
Charge Amount oz.	4.5 (127.6 g)
BTU	4100

PLAN VIEW



When ordering please specify:
Voltage, Hinging, and Options



NEMA 5-15P

1. Based on 90°F ambient & 20°F evaporator.
 2. 12" top clearance preferred for optimum performance & service access.
- *Depth does not include 7-1/4" for door & handle.
†Overall height includes 6" (15.2 cm) for casters.
‡For additional voltage options contact factory.



Models listed to applicable UL, CSA, and NSF standards by an approved NRTL. Consult the factory or unit data plate for additional information.

Specifications subject to change without notice. Chart dimensions are rounded up to the nearest 1/16" (centimeters rounded up to the nearest tenth).



G SERIES

2-SECTION GLASS DOOR PASS-THRU REFRIGERATOR



Project Name:	Location:	AIA #:	
Item #:	Qty:	Model #:	SIS #:

REFRIGERATION SYSTEM

- Self-contained, top-mounted system uses environmentally friendly, minimal GWP R-290 refrigerant
- High performance, balanced system operates at 34-38°F (1- 3°C) to maintain consistent, food-safe temperatures
- Specialized, clock-wise airflow design
- Water-resistant microprocessor control with an LED display
- Easy to clean, front-facing condenser coil
- Thermostatic expansion valve metering device
- High humidity evaporator coil located outside the food zone; complete electro-deposition coating on coil

CABINET CONSTRUCTION

- Stainless steel exterior and interior
- Exterior top, back, and bottom is constructed of heavy gauge galvanized steel
- Load-Sure™ guard facilitates proper product loading
- Cabinet is insulated with an average of 2" (5.1 cm) thick high density, non-CFC foamed-in-place polyurethane
- A set of (4) 6" (15.2 cm) high casters; (2) with brakes, (2) without brakes
- 9' cord & plug provided

DOORS

- Metal gasket-protecting door pan(s)
- Removable, plug cylinder locks
- Guaranteed for life cam-lift hinges
- Door(s) are self-closing with a stay-open feature
- Magnetic, snap-in EZ-Clean™ door gasket(s) are chemical-resistant
- Door hinges include a concealed switch that automatically activate interior LED lighting

FACTORY-INSTALLED INTERIORS

- (3) adjustable, factory-installed coated wire shelves per section supported on shelf pins

FIELD-INSTALLED INTERIOR/SUPPORT OPTIONS

- See trayslide versatility chart below
- Additional shelves
- Set of (4) 4-1/8" (10.5 cm) casters; (2) with brakes, (2) without brakes
- Set of (4) 6" (15.2 cm) adjustable legs
- Set of (4) 6" (15.2 cm) flanged legs

WARRANTY

Both a six-year parts and labor warranty, and an additional one-year compressor parts warranty (for a total of seven years) are provided standard.

OPTIONAL ACCESSORY TRAYSIDES						
TRAYSIDE DRAWINGS						
TRAYSIDE OFFERING	#1 (1) 18" x26" or (2) 14"x18"	#4 (Rod Type) (1) 18" x26"	Universal (1) 18" x26" or (2) 14"x18" or (2) 12"x20"	#1 EZ-Change (1) 18" x26" or (2) 14"x18"	Universal EZ-Change (1) 18" x26" or (2) 14"x18" or (2) 12"x20"	HD Universal EZ-Change (1) 18" x26" or (2) 14"x18" or (2) 12"x20"
SPACING CAPACITY DOOR SIZE	2" (28) Pairs Full Door 3" (19) Pairs Full Door 4" (14) Pairs Full Door 5" (11) Pairs Full Door	1-1/2" (38) Pairs Full Door	4" (14) Pairs Full Door 5" (11) Pairs Full Door 6" (9) Pairs Full Door	2" (26) Pairs Full Door 4" (13) Pairs Full Door	2-1/4" (22) Pairs Full Door 4-1/2" (11) Pairs Full Door	4-1/2" (11) Pairs Full Door 9" (5) Pairs Full Door

CAD and/or Revit Files Available

<https://traulsen.klclcad.com>

Approved by:	Approved by:	Date:
--------------	--------------	-------