



Top-Side™ Cooker

PROJECT _____

QUANTITY _____

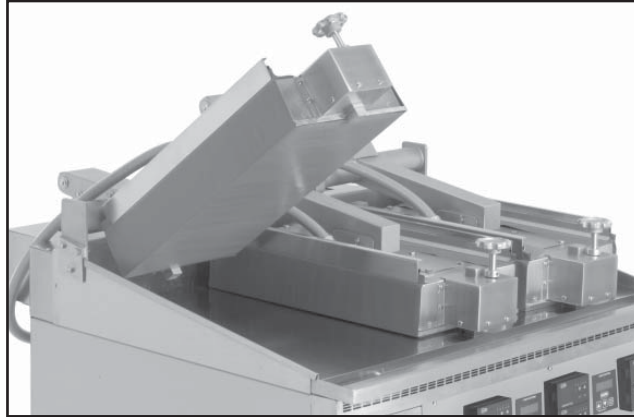
ITEM NO. _____

Standard Features:

- ▶ Reduces cooking time by up to 60%
- ▶ Two-sided cooking with precise temperature control
- ▶ Reduces space requirements
- ▶ Infinite height adjustment
- ▶ Replaceable non-stick cooking sheet makes clean up easy
- ▶ Mounted onto gas or electric MIRACLEAN® Griddle
- ▶ Exclusive MIRACLEAN® surface reduces heat emissions

Options:

- Manual Lift Head
- Auto Lift Head
- Streaked Surface
- Extra Cooking Sheets



Mounted onto a gas or electric MIRACLEAN® griddle, Keating's Top-Side™ Cooker is designed to provide the best in speed and consistency that two-sided cooking offers. Ideal for high volume or limited kitchen space operations that require large quantities of food products to be cooked fast without sacrificing product quality.

Reduces cooking time

The Top-Side™ Cooker dramatically reduces cooking time by up to 60%, increasing production. Each cooking head covers a griddle surface of 10-1/2"x 20" - an area large enough to cook eight quarter pound hamburger patties at once. With the 4KW rated element at 220V input, the Top-Side™ Cooker ensures high speed cooking production.

Precise cooking

The Top-Side™ Cooker allows infinite height adjustment for perfect and consistent cooking results. The cooking head can be easily adjusted to a desired height up to 1-1/2" above the griddle plate.

Non-stick cooking sheets

Unlike competitive designs that require expensive and time consuming platen change outs when worn, each Keating Top-Side™ Cooker comes with a proprietary designed reversible cooking sheet made of a polymer coated material that is easily replaceable when worn. To clean the surface, simply wipe down with a damp cloth.

Accurate temperature control

An electronic thermostat is built into the Top-Side™ Cooker head for accurate and even heat distribution. Each Top-Side™ Cooker has a free standing control panel. The Top-Side™ Cooker can be installed onto any 24" to 72" wide and 30" deep gas or electric Keating MIRACLEAN® griddle.



As continuous product improvement occurs, specifications may be changed without notice.

DATE _____

APPROVAL _____

SIGNATURE _____

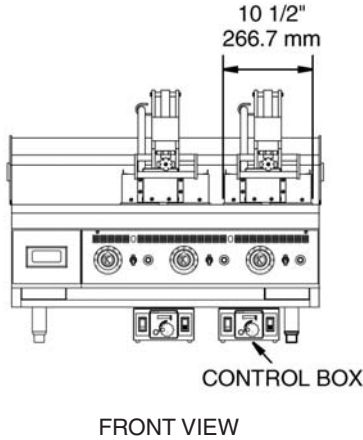
www.keatingofchicago.com

Top-Side™ Cooker

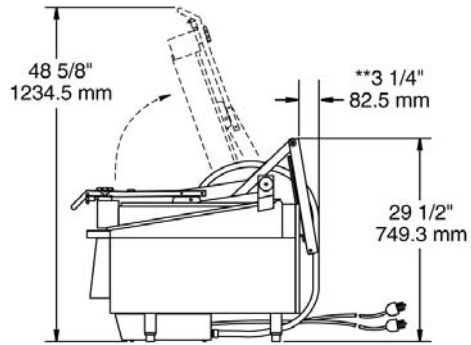
"Serving Those Who Serve The Very Best"®

KEATING
OF CHICAGO, INC.

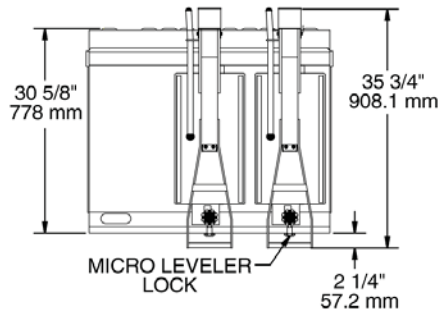
Top-Side™ Cooker



SIDE VIEW



TOP VIEW



SPECIFICATIONS

Platen - High carbon, 3/8" steel plate, 10-1/2" wide by 20" deep, with our patented MIRACLEAN® Trivalent Chromium surface applied.

Mounting Assembly - Attached to the rear of the griddle, the mounting assembly is designed to support Top-Side™ Cooker heads. (Manual assembly will add 3-1/4" to depth of griddle, Auto Lift assembly will add 6".) Number of cooking heads to be installed must be specified.

Housing - Easy to clean, highly polished 18 gauge stainless steel, designed to mount to any new Keating MIRACLEAN® griddle that is 30" deep. Cooking heads are mounted every 12 inches up to a maximum of six heads on a 72" wide griddle.

Cooking Sheet - Made of a proprietary polymer non-stick material. The reversible and removable cooking sheet is easily changeable using a removable clip on each side of the cooking platen.

Cooking Height Adjustment - Height is manually set using the Micro Leveler. It allows cooking heights up to 1-1/2" above the food. The infinite adjustment provides consistent cooking results.

Standard Accessories - One non-stick cooking sheet.

Electrical Requirements - 4.8 kW and 20 Amps single phase at 240 VAC. The element is embedded in an aluminum casting to ensure even heat distribution to the platen. Each electrical control contains an electronic thermostat accurate to ±5°F from 0°F to 500°F, an ON/OFF switch and "power on" and "ready to cook" indicating lights. Each electrical control panel is to be connected to its cooking arm with a 4' coated electrical conduit and is to be equipped with a 9' neoprene covered 12-gauge 3-wire cord for connecting to its own 208-240 volt single phase supply. (No plug provided.)

Special Order Options - Extra cooking sheets, streaked surface and auto lifts.

ELECTRICAL REQUIREMENTS / DIMENSIONS

MODEL	kW 240V	Amps 240V	T-Stats	(A) Width	(B) Depth	Weight
Top-Side™ Cooking Head 208-240/1	4.8	20	1	10 1/2"	20"	50 lbs.
Top-Side™ Mounting Assembly*						
Up to 36" Wide				37"	34 5/8"	70 lbs.
Up to 48" Wide				49"	34 5/8"	90 lbs.
Up to 60" Wide				61"	34 5/8"	110 lbs.
Up to 72" Wide				73"	34 5/8"	120 lbs.

Each Auto Lift Top-Side™ Cooking Head requires a separate 120V power supply.

*Top-Side™ Mounting Assembly is required for Top-Side Cooker installation (Note: Mounting Assembly will add 3 3/4" in depth to the rear of the griddle.)

NOT FOR OUTDOOR INSTALLATION - NOT FOR DOMESTIC INSTALLATION

As continuous product improvement occurs, specifications may be changed without notice.

www.keatingofchicago.com

Top-Side™ Cooker