

WAVE15-S-APS, PF

17.4" x 17.9" x 9.7"
(44.2cm x 45.5cm x 24.6cm)



 Servers and airpots sold separately

- BrewMETER® allows automatic programming of pulse routine
- Adjustable legs to accommodate up to 3.0L lever action and 2.5L push button BUNN airpots and thermal servers
- Analog switches accompanied by red/green LED for programming
- Brew into 1.9L thermal carafe using the slide-out booster tray
- Choice of three pulse brew routines to adjust your flavor profile
- Red/green LED provide brewer status (ready, heating, brewing)
- SmartWAVE technology increases turbulence in the brew funnel
- Silver Version
- Energy-saver mode reduces tank temperature during idle periods
- Ensures coffee brew quality with cold brew lock out capability
- SplashGard® funnel deflects hot liquids away from the hand

Agency:



Specifications

Product #: 39900.0006

Water Access: Plumbed

Finish: Stainless

Funnel: Black Plastic

Faucet: Lower

Additional Features

BrewMETER

Electrical & Capacity

Volts	Amps	Watts	Cord Attached	Plug Type	8oz cups/hr 236ml cups/hr	Input H ₂ O Temp.	Phase	# Wires plus Ground	Hertz
120	11.3	1350	Yes	NEMA 5-15P	62	60°F (15.5°C)	1	2	60

Plumbing Requirements

PSI	kPa	Fitting Supplied	Water Flow Required (GPM)
20-90	138-621	1/4" Male Flare Fitting	-

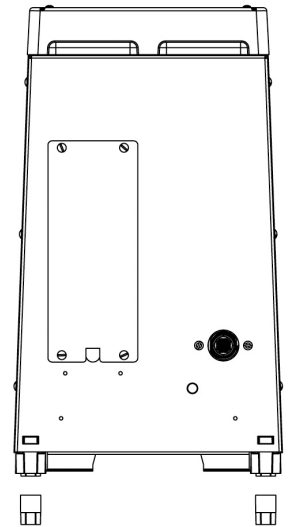
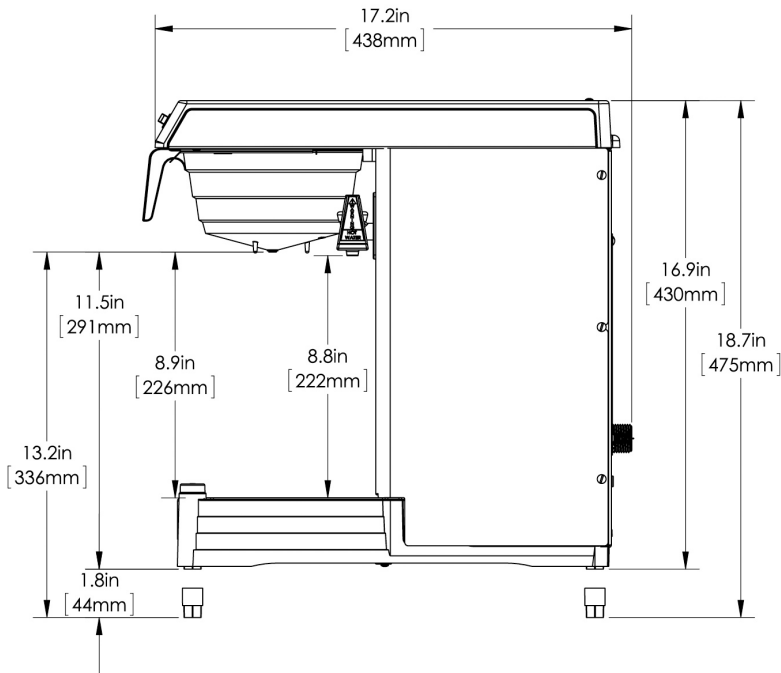
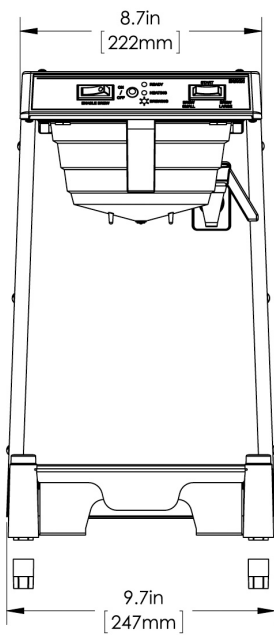
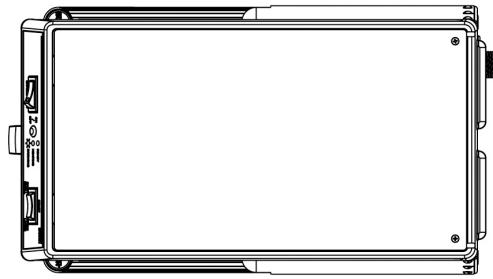
CAD Drawings

2D	Revit	KLC
●		



BUNN® reserves the right to change specifications and product design without notice. Such revisions do not entitle the buyer to corresponding changes, improvements, additions or replacements for previously purchased equipment. For most current specifications and other info visit bunn.com.

Created on:
09/13/2017



Unit			Shipping					
	Width	Height	Depth	Width	Height	Depth	Weight	Volume
English	9.7 in.	17.4 in.	17.9 in.	12.3 in.	19.5 in.	19.5 in.	24.250 lbs	2.505 ft ³
Metric	24.6 cm	44.2 cm	45.5 cm	31.2 cm	49.5 cm	49.5 cm	11.000 kgs	0.071 m ³



BUNN® reserves the right to change specifications and product design without notice. Such revisions do not entitle the buyer to corresponding changes, improvements, additions or replacements for previously purchased equipment. For most current specifications and other info visit bunn.com.

Created on:
09/13/2017

Related Products & Accessories: WAVE15-S-APS, PF(39900.0006)



FILTERS,REGULAR1M
500/2 50/CL

Product #: 20115.0000



PAPEL FILTRANTE

Product #: 20115.0000



FUNNEL W/DECALS,
BLACK PLASTIC

Product #: 20583.0003



EMBUDOS

Product #: 20583.0003



WATER FILTER
SYSTEM,EQ-17-TL

Product #: 30200.1000



WATER FILTER,IN LINE
ED-17-TL

Product #: 30201.1001



BUNN® reserves the right to change specifications and product design without notice. Such revisions do not entitle the buyer to corresponding changes, improvements, additions or replacements for previously purchased equipment. For most current specifications and other info visit bunn.com.

Created on:
09/13/2017

Serving & Holding Options: WAVE15-S-APS, PF(39900.0006)



AIRPOT, 2.5L GL PB
SINGLE PK

Product #:13041.0001



AIRPOT, 2.5L GL PB 6/
CASE

Product #:13041.0101



TSR-1,THERMAL SRVR
RACK-1 POSN

Product #:18008.6001



AIRPOT, 2.2L GL PB
SINGLE PK

Product #:28696.0002

NO IMAGE
AVAILABLE

AIRPOT, 2.2L GL PB 6/
CASE

Product #:28696.0006



AIRPOT, 2.5L SST LA
SINGLE PK

Product #:32125.0000



TERMO

Product #:32125.0000



AIRPOT, 2.5L SST LA 6/
CASE

Product #:32125.0100



TERMO

Product #:32125.0100



AIRPOT, 3.0L SST LA
SINGLE PK

Product #:32130.0000



TERMO

Product #:32130.0000



AIRPOT, 3.0L SST LA 6/
CASE

Product #:32130.0100



TERMO

Product #:32130.0100



THERMAL CARAFE, BLK
1.9L 1PK

Product #:36029.0001



JARRAS CON
ACCESORIOS

Product #:36029.0001



THERMAL CARAFE,ORN
1.9L 12PK

Product #:36252.0000



THERMAL CARAFE,ORN
1.9L 1PK

Product #:36252.0001



JARRAS CON
ACCESORIOS

Product #:36252.0001



PITCHER,SST 1.9L TALL-
SNGL PK

Product #:39430.0000



PITCHER,SST 1.9L
TALL-6/CASE

Product #:39430.0100



BUNN® reserves the right to change specifications and product design without notice. Such revisions do not entitle the buyer to corresponding changes, improvements, additions or replacements for previously purchased equipment. For most current specifications and other info visit bunn.com.

Created on:
09/13/2017

Serving & Holding Options: WAVE15-S-APS, PF(39900.0006)



JARRAS

Product #:39430.0100



CARAFE,SST 1.9L SHRT
BLK 1/

Product #:40163.0000



JARRAS

Product #:40163.0000



CARAFE,SST 1.9L SHRT
ORN 1/

Product #:40163.0001



CARAFE,SST 1.9L SHRT
BLK 12/

Product #:40163.0100



CARAFE,SST 1.9L SHRT
ORN 12/

Product #:40163.0101

NO IMAGE
AVAILABLE

THERMAL SRVR, 2.5L 6/
CS NO BASE GL LINR

Product #:45882.0001

NO IMAGE
AVAILABLE

THERMAL SRVR, 2.5L
NO BASE GL LINER

Product #:45882.0003



BUNN® reserves the right to change specifications and product design without notice. Such revisions do not entitle the buyer to corresponding changes, improvements, additions or replacements for previously purchased equipment. For most current specifications and other info visit bunn.com.

Created on:
09/13/2017