

# "UBBS-21" UNDERBAR BLENDER STATION

## 21" Width

**FEATURES:**

- 18GA Stainless Steel Construction
- Type 300 Stainless Steel With #4 Polish, Satin Finish
- Standard Pre-Drilled Holes On Sides For Attaching Adjacent Units Together
- Removable Faucet Plate With 4" On-Center Splash Mount Faucet Holes
- Integrated Side Blender Shelf
- 2" Diameter Rubber Grommet For Power Cord Access
- Stainless Steel Front To Back Bracing

**SPECIFICATIONS:**

- Top: 18GA Type 300 Stainless Steel
- Front Apron: 18GA Type 300 Stainless Steel
- Backsplash: 18GA Type 300 Stainless Steel
- Sides: 18GA Type 300 Stainless Steel
- Fabricated Sink Bowl: 8"x10"x6" Deep
- Bolt On 1-5/8" Stainless Steel Legs For Fast Installation
- 1-1/4" Front To Back Bracing
- 1" Adjustable Stainless Steel Bullet Feet
- Z-Clip To Mount To Wall
- Bolt To Adjacent Underbar Piece
- Mounting Options Allow For Flexible Installation Options To Remove Back Or Front And Back Legs For A Clean Installation
- 1-7/8" Drain With Basket
- 1-1/2" NPS Drain Connection

**CERTIFICATIONS:**



UBBS-2112

### ACCESSORIES

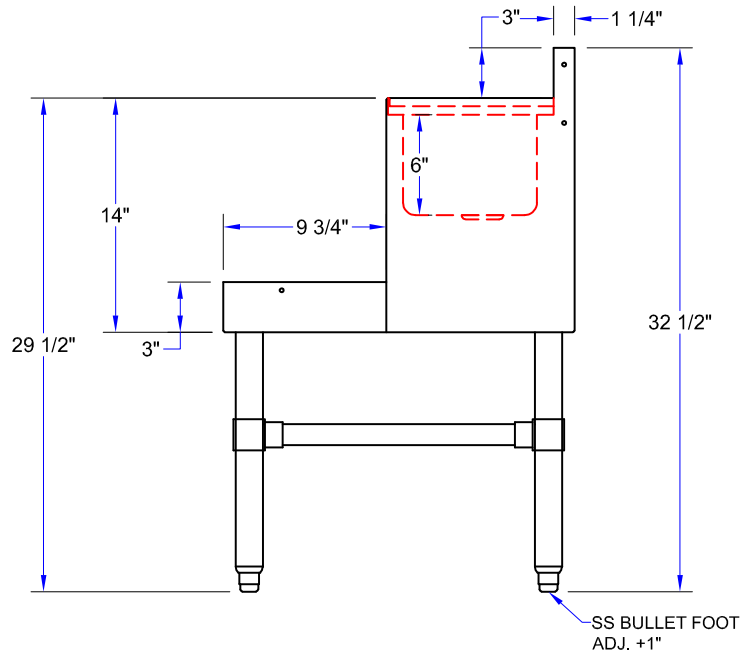
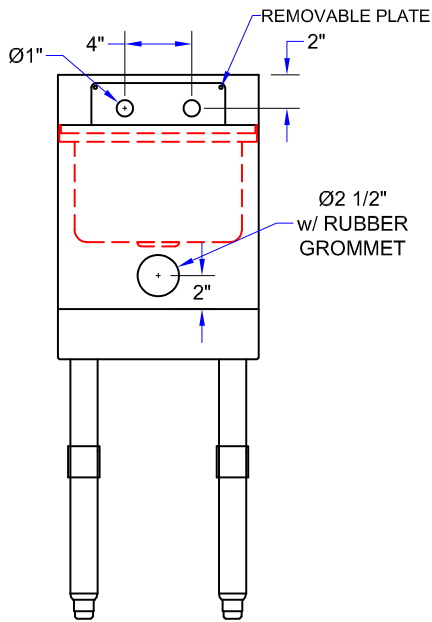
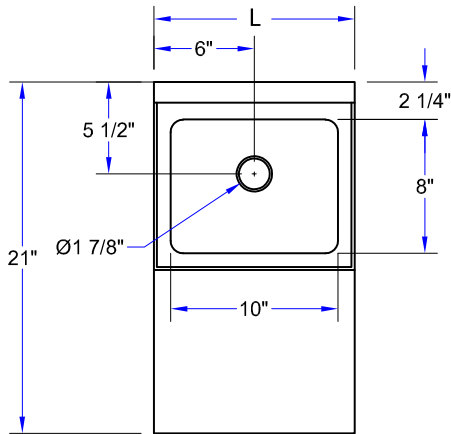
MODEL	DESCRIPTION
PBF-4SM2-6LF	Heavy Duty Faucet
PBF-W2-6LF	Economy Faucet
PB-WL-36	Flexible Shallow Mount Faucet Hoses
UBSS-18-L	Left Hand Side Splash
UBSS-18-R	Right Hand Side Splash

### "UBBS-21" UNDERBAR BLENDER STATION

MODEL	SIZE (LXWXH)	WEIGHT (LBS)
UBBS-2112	21"x12"x7"	29
UBBS-2118	21"x18"x7"	38

ALL DIMENSIONS ARE TYPICAL. TOLERANCE +/- .500". JOHN BOOS & CO. RESERVES THE RIGHT TO CHANGE SPECIFICATIONS WITHOUT NOTICE.

# DETAILED SPECIFICATIONS



## "UBBS-21" UNDERBAR BLENDER STATION

MODEL	SIZE (LXWXH)	WEIGHT (LBS)
UBBS-2112	21"x12"x7"	29
UBBS-2118	21"x18"x7"	38

ALL DIMENSIONS ARE TYPICAL. TOLERANCE +/- .500". JOHN BOOS & CO. RESERVES THE RIGHT TO CHANGE SPECIFICATIONS WITHOUT NOTICE.