



## MODELS

KGV-MO-(2, 3, 4, 5, 6)-R

**HIGH VOLUME GRAB-N-GO CASE  
FOR REMOTE CONDENSING UNIT**

CASE HOLDS 33°F TO 40°F • FORCED AIR REFRIGERATION  
LED LIGHTING IN CANOPY AND UNDER SHELVES  
CASES CAN BE MULTIPLEXED



AUTODESK®  
REVIT®

REMOTE	Model	Number of Doors	O.A. Length (inches)	Volume FT <sup>3</sup>	Total Amps	BTUS	Weight lbs		Crate Size (inches)		
							No Crate	With Crate	L"	W"	H"
	KGV-MO-2-R	2 x 23-1/2	51-1/2	35.66	1.4	10458	456	661	54	36	85
	KGV-MO-3-R	3 x 23-1/2	75-3/8	53.41	2	15542	632	902	78	36	85
	KGV-MO-4-R	4 x 23-1/2	99-3/8	71.31	2.8	18436	912	1332	104	36	85
	KGV-MO-5-R	5 x 23-1/2	123-1/8	89.07	3.4	22861	1088	1563	126	36	85
	KGV-MO-6-R	6 x 23-1/2	147	106.82	4	27287	1264	1804	150	36	85

\* Note for other lengths please contact MVP

### STANDARD FEATURES

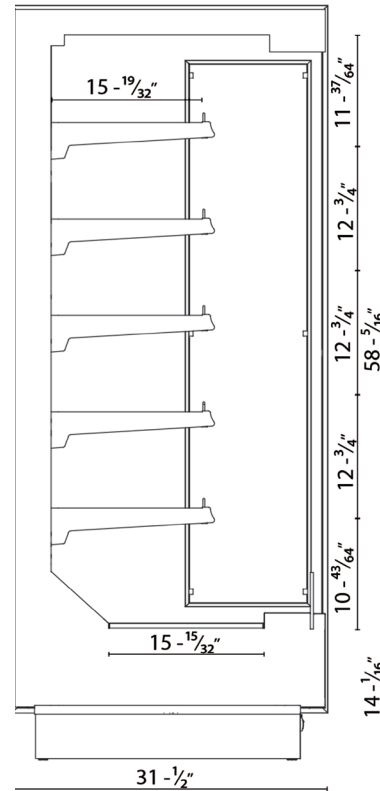
- Silver colored PVC coated steel front panel
- CFC free injected foam insulation
- PVC coated steel gray interior
- Black steel kick plate
- Foamed polystyrene black end panels
- Height adjustable shelves can be tilted
- Product stops on all shelves
- Temperature and defrost regulated by a digital controller
- Levelling feet

### OPTIONAL FEATURES

- Other colors available
- Stainless steel exterior and / or interior
- Additional shelves
- Price tag molding
- Product dividers
- Joining Kit
- Partition

### WARRANTY

One year parts and labor (case only).



### NOTE

These cases are engineered to operate in locations not exceeding 75°F and 55% R.H. These cases are designed to operate using R404a refrigerant. Alternate refrigerants available by special order. O.A. length includes (2) ends at 1-7/8" each. Ventilation grills at front and back cannot be blocked. B.T.U.'s are calculated at 14°F (evaporator) and 90°F (ambient). Floor drain must be provided. Remote cases are provided with an expansion valve and a liquid solenoid for pump down cycle. Cases must be hard wired – no plugs.