



BGS-24 with optional stainless steel top



Intertek
 4004503
 Conforms to NSF/ANSI STD 2

Project: _____	AIA# _____
Item #: _____ Qty: _____	SIS# _____
Model #: _____	

Back Bar Glass Storage Units

BGS	BGS-18, BGS-24, BGS-30, BGS-18-S, BGS-24-S, BGS-30-S
------------	--

Standard Features

- Unfinished, open top for under counter installation
- Stainless steel interior with black vinyl-clad exterior
- Three adjustable stainless steel shelves

Configurable Options

Top Style:

- Open
- Stainless

Left and Right Side Finish:

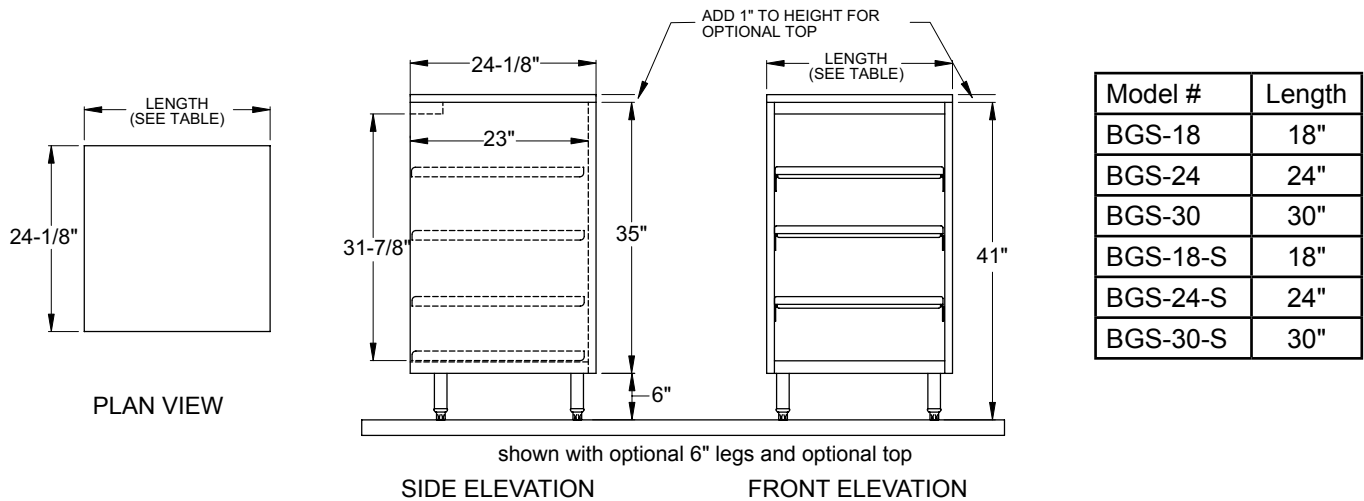
- Black vinyl-clad
- Stainless steel

Specifications

Materials

- 22 gauge black vinyl-clad parts include: exterior sides
- 20 gauge stainless steel parts include: interior side walls and back. (exterior sides on '-S' models)
- 18 gauge stainless steel parts include: top channel, shelf mounting angles, shelves, and floor
- 16 gauge stainless steel parts include: front leg channel
- 16 gauge galvanized steel parts include: rear leg channel

Drawings



<p>Glastender, Inc. • 5400 N Michigan Rd • Saginaw, MI • 48604-9780 989.752.4275 • 800.748.0423 • Fax 989.752.4444 www.glastender.com</p>	<p>Approval/Notes:</p>
<p>Specifications subject to change without notice. For current specifications please visit our website.</p>	