

**Scotsman**  
UNDERCOUNTER UNITS

# UC2024 - 200 lb Cube Ice Machine

Self-Contained Undercounter Ice Machine with Storage



## Features and Benefits

### Space Saving Design:

- Only 24" wide, this ice maker can be placed in the tightest locations
- Front breathing - No side clearance required for flexible placement
- Recessed utility chase provides clearance for tight installs
- Optional floor mount kit lowers height to 33.5"

### Ease of Use:

- Removable external air filter for easy cleaning
- Unit specific QR code for quick access to service manuals, cleaning guides and warranty history
- Ergonomic slide back door allows easy access to ice in the bin
- Power cord, NEMA 5-15P plug, ice scoop and adjustable legs are included for quick and easy installation

### Reliability:

- Heavy duty, rust-free front panel and corrosion-resistant aluminum alloy side panels for maximum lifespan
- 3 Year parts and labor warranty
- Designed, engineered and assembled in the USA

### High Production:

- Produces up to 230 lb (104 kg) per day and stores 80 lb (36 kg), maximizing ice output despite its small footprint

### Environmentally Friendly:

- Meets new US federal energy efficiency requirements
- Meets US Safe Drinking Act low lead requirements
- Non-ozone depleting R-134A refrigerant



Front accessible external air filter for easy cleaning



Recessed utility chase provides clearance for tight installs



Ergonomic slide-back door allows easy access to ice in the bin



Unit specific QR code for quick access to service manuals, cleaning guides and warranty history



## 24 Hour Volume Production

| Air Cooled |       |           | Water Cooled |       |           |
|------------|-------|-----------|--------------|-------|-----------|
| 70°F/21°C  | Air   | 90°F/32°C | 70°F/21°C    | Air   | 90°F/32°C |
| 50°F/10°C  | Water | 70°F/21°C | 50°F/10°C    | Water | 70°F/21°C |
| 227/103    |       | 166/75    | 230/104      |       | 176/80    |
| lb/kg      |       | lb/kg     | lb/kg        |       | lb/kg     |



## Cube Ice

Common ice form, ideal for mixed drinks.



Small Cube  
7/8" x 7/8" x 3/8"  
(2.22 x 2.22 x .95 cm)



Medium Cube  
7/8" x 7/8" x 7/8"  
(2.22 x 2.22 x 2.22 cm)



## Certification



## Warranty

- 3 years parts and labor on all components
- 5 years parts on the compressor
- Warranty valid in North, South & Central America for commercial installations
- Contact factory for warranty in other regions
- Residential Applications: 1 year parts and labor

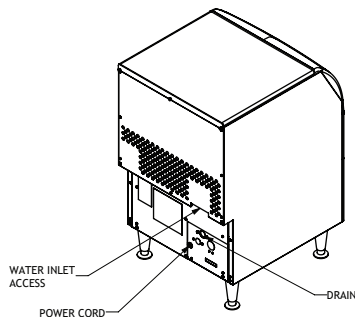
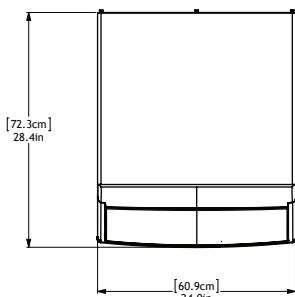
UC2024 - 200 lb Self-Contained Ice Machine

**Scotsman**  
UNDERCOUNTER UNITS

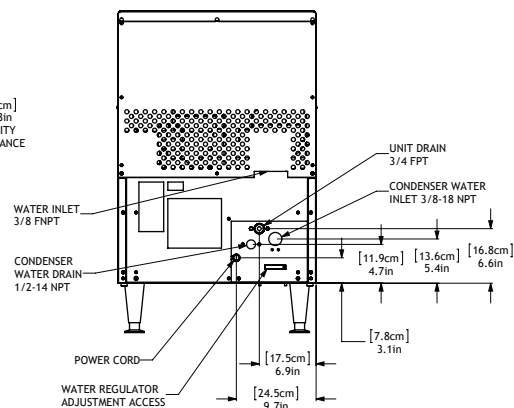
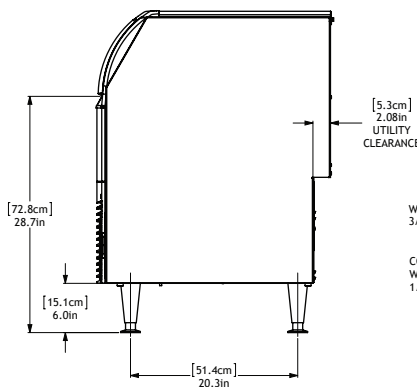
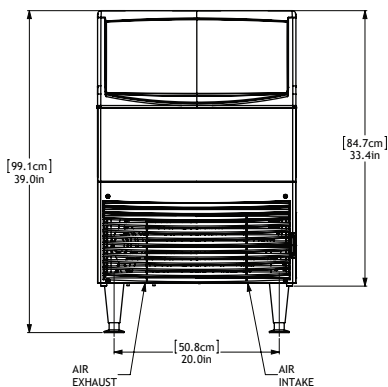
- 101 Corporate Woods Parkway, Vernon Hills, IL 60061 •
- 1-800-SCOTSMAN • Fax: 847-913-9844 • [www.scotsman-ice.com](http://www.scotsman-ice.com) • [customer.relations@scotsman-ice.com](mailto:customer.relations@scotsman-ice.com) •

# UC2024 - 200 lb Cube Ice Machine

## Self-Contained Undercounter Ice Machine with Storage



Front breathing and no side clearance required, allowing for flexible placement



# UC2024 - 200 lb Self-Contained Ice Machine



## Specifications

| Model Number | Condenser Unit | Storage Capacity lb/kg | Basic Electrical Volts/Hz/Phase | Max. Fuse Size or HACR Circuit Breaker (amps) | Circuit Wires | Min. Circuit Ampacity | Energy Consumption kWh/100 lb (45.4 kg) 90°F(32°C)/70°F(21°C) | Water Usage Gallons/100 lb (liters/45.4 kg) |                                 | Energy Star® |
|--------------|----------------|------------------------|---------------------------------|---|---------------|-----------------------|---|---|---------------------------------|--------------|
|              |                |                        |                                 |   |               |                       |   | Potable 90°F(32°C)/70°F(21°C)               | Condenser 90°F(32°C)/70°F(21°C) |              |
| UC2024MA-1   | Air            | 80/36                  | 115/60/1                        | 15  | 2             | Cord                  | 6.27  | 22.4/85.3                                   | -                               | ✓            |
| UC2024MW-1   | Water          | 80/36                  | 115/60/1                        | 15  | 2             | Cord                  | 4.91  | 21.8/83.0                                   | 111/422.7                       |              |
| UC2024SA-1   | Air            | 80/36                  | 115/60/1                        | 15  | 2             | Cord                  | 6.27  | 22.4/85.3                                   | -                               | ✓            |
| UC2024SW-1   | Water          | 80/36                  | 115/60/1                        | 15  | 2             | Cord                  | 4.91  | 21.8/83.0                                   | 111/422.7                       |              |



## All Models

### Dimensions (W x D x H):

Unit: 24" X 28.5" X 39"  
(61.0 x 72.4 x 99.1 cm)

Height includes 6" (15.24 cm) adjustable legs

Shipping Carton: 29" x 39" x 39"  
(73.7 x 99.1 x 99.1 cm)

Shipping Weight: 150 lb / 68 kg

BTUs per hour: 3,900

Refrigerant: R-134A



## Accessories

| Model Number | Description                             |
|--------------|---|
| KLP8S        | Kit, Leg 6", Stainless Steel            |
| KBC1         | Kit, Casters                            |
| KUFM24       | Floor mount kit. Lowers height to 33.5" |

Scotsman recommends all ice machines have water filtration. See Scotsman water filter specification sheet for details.



## Operating Requirements

|                    | Minimum           | Maximum           |
|--------------------|-------------------|-------------------|
| Air Temperatures   | 50°F (10°C)       | 100°F (38°C)      |
| Water Temperatures | 40°F (4.4°C)      | 100°F (38°C)      |
| Water Pressures    | 20 PSIG (1.4 bar) | 80 PSIG (5.5 bar) |
| Electrical Voltage | -5%               | +10%              |

Specifications and design are subject to change without notice.

an Ali Group Company