

TDO-3.5 LP Low Profile Dispenser

10.0" x 16.1" x 9.8"
(25.4cm x 40.9cm x 24.9cm)

- Ships with full-color iced tea decal
- Sump dispense valve assures complete dispensing



Agency:

Specifications

Product #: 37100.0000

Finish: Stainless

Dispense: Pull & Hold

Handle: Side Carry Handles

Lid Color: Brew-Through Smoke Lid

Additional Features

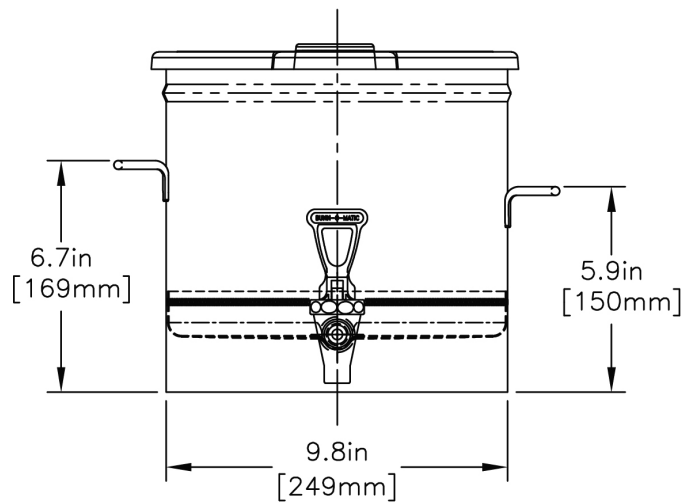
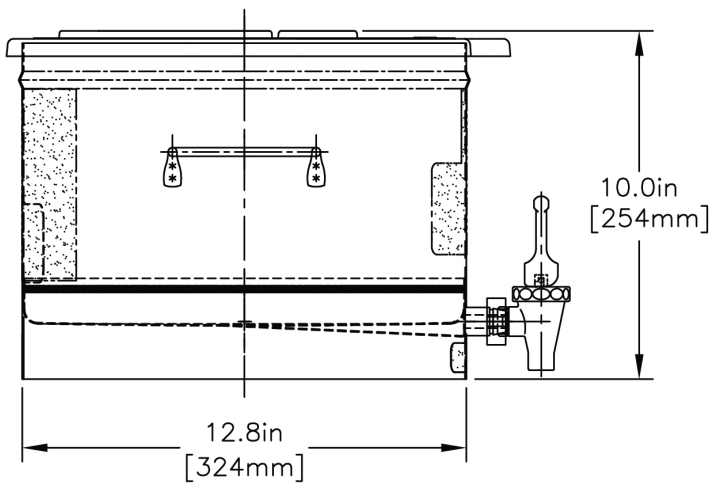
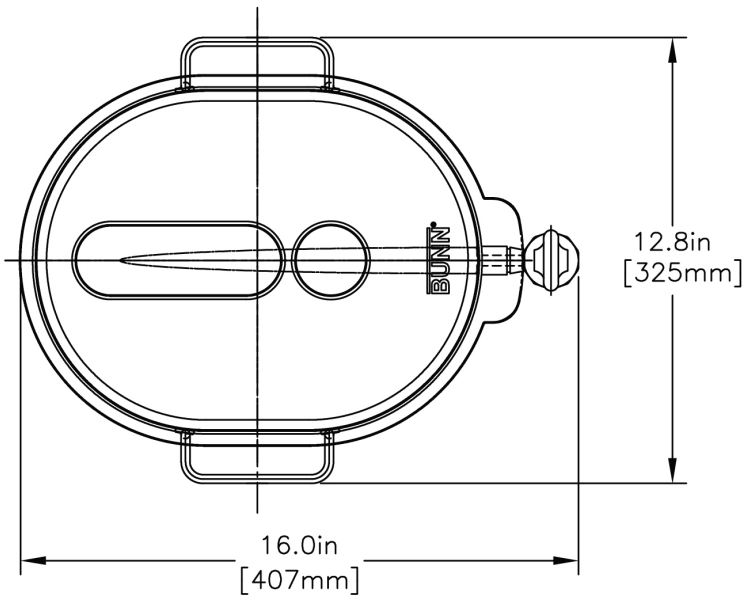
Holding Capacity

English	Metric
448 oz.	13.2 L



BUNN® reserves the right to change specifications and product design without notice. Such revisions do not entitle the buyer to corresponding changes, improvements, additions or replacements for previously purchased equipment. For most current specifications and other info visit bunn.com.

Created on:
08/29/2017



	Unit			Shipping				
	Width	Height	Depth	Width	Height	Depth	Weight	Volume
English	9.8 in.	10.0 in.	16.1 in.	-	-	-	6.650 lbs	1.117 ft ³
Metric	24.9 cm	25.4 cm	40.9 cm	-	-	-	3.016 kgs	0.032 m ³



BUNN® reserves the right to change specifications and product design without notice. Such revisions do not entitle the buyer to corresponding changes, improvements, additions or replacements for previously purchased equipment. For most current specifications and other info visit bunn.com.

Created on:
08/29/2017

Related Products & Accessories:TDO-3.5 LP Low Profile Dispenser(37100.0000)



DRIP TRAY, TDO/TCD

Product #: 03207.0004



WIRE GRILL,DRIP TRAY
(SINGLE)

Product #: 26801.0000



DRIP TRAY KIT, TCD/
TDO

Product #: 38029.1000



BUNN® reserves the right to change specifications and product design without notice. Such revisions do not entitle the buyer to corresponding changes, improvements, additions or replacements for previously purchased equipment. For most current specifications and other info visit bunn.com.

Created on:
08/29/2017