



Open Base Riser Top Work Table

Stainless Steel Work Tables



Use your smart phone to scan the above QR code to visit our website:
www.bk-resources.com

Certifications:



Features:

- 1 5/8" Legs
- 5" Riser
- Legs Adjust 1" in Height
- Ships KD
- Two Sound Deadened Integrally Welded 5" C Channels to Reinforce & Maintain Level Working Surface
- 96" & 84" Tables Have 6 Legs

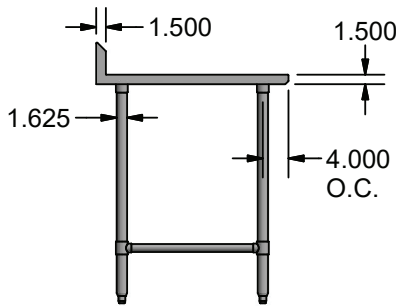
Options:

- Single & Double Overshelves
- Drawer Assemblies
- Casters
- Adjustable Table Mount Pot Rack

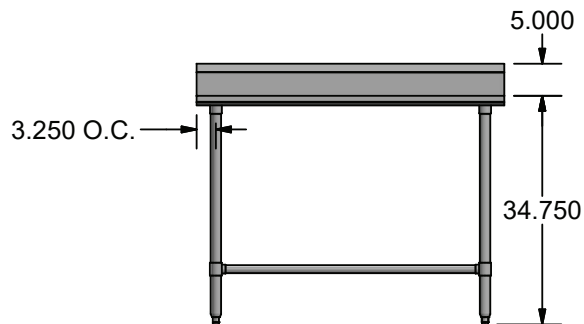
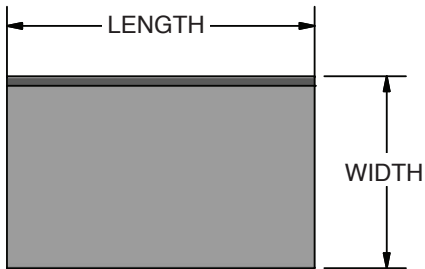


Material:

- T-304 14 ga. Stainless Steel Top
- Stainless Steel Legs & Bracing
- 1 1/4" Adjustable Stainless Steel Feet
- Capacity: 1,200 lbs Evenly Distributed



Part #	Length	Width
QVTR50B-8424	84"	24"
QVTR50B-3630	36"	30"
QVTR50B-4830	48"	30"
QVTR50B-6030	60"	30"
QVTR50B-7230	72"	30"
QVTR50B-8430	84"	30"
QVTR50B-9630	96"	30"



1.250 Adjustable Stainless Steel Feet

PRODUCT DATA SHEET

BK RESOURCES

