

# BACK BAR EQUIPMENT

## Model: BB24NSSGD

Natural Refrigerant R-290 Model

### 24" Back Bar Display Cooler with Hinged Glass Door

Stainless steel exterior, countertop and interior back  
with reinforced stainless steel floor.



## Options and Accessories

(upcharge and lead times may apply)

Additional epoxy coated shelves	Food storage rated stainless steel interior (NSF-7)
Stainless steel shelves	Wine rack

Consult factory for other model configurations, options and accessories.

Project Name:

Model Specified:

Location:

Item No:

Quantity:

AIA #:

SIS #:

## Standard Model Features

### REFRIGERATION SYSTEM

Performance rated refrigeration system

Natural, environmentally safe,  
high efficiency R-290 refrigerant<sup>1</sup>

Automatic, hot gas condensate evaporator

Extra large, balanced evaporator coil

### CABINET ARCHITECTURE

High density, non-CFC polyurethane  
foamed-in-place insulation

Rear and side venting louvered panels

Triple pane, tempered low emissivity hinged glass door

Magnetic snap in door gasket

Cylinder keyed security lock

Stainless steel reinforced threshold

5" high casters (cannot be changed, footing installed)

### MODEL FEATURES

Electronic control, off-cycle defrost

LED interior lighting

Easily accessible and serviceable condensing unit

<sup>1</sup> R-290 refrigerant meets all federal and state regulatory requirements.

**Continental**<sup>®</sup>  
Refrigerator



APPROVAL:

# Model Specifications

## DIMENSIONAL DATA

Net Capacity (cubic feet)	8 (226 l)
Width, Overall (inches)	24 1/8 (613 mm)
Depth, Overall (inches) (including handle & condenser)	31 7/16 (798 mm)
Height, Overall (inches)	38 13/16 (986 mm)
Bottle/Can capacity (12oz)	55 (per shelf)
Number of Doors	1
Number of Shelves	2

## REFRIGERANT DATA

Condensing Unit Size (H.P.)	1/5
R-290 Refrigerant Charge (oz)	2.3
Capacity (BTU per hour)*	1470

## ELECTRICAL DATA

Voltage (International)	115/60/1 (220/50/1)
Feed Wires (including ground)	3
Total Amps (International)	3.2 (1.6)
10 ft. Cord/Plug [attached] (International)	Yes (No)

## SHIPPING DATA

Weight (pounds)	240 (120 kg)
Height - Crated (inches)	45 (1099 mm)
Width - Crated (inches)	31 (908 mm)
Depth - Crated (inches)	36 (946 mm)

\* Rating @ +25°F evaporator, 90°F ambient  
Figures in parentheses reflect metric equivalents rounded to the nearest whole unit.



Equipped with one NEMA-5-15P Plug  
(varies by country)

# Continental<sup>®</sup>

Refrigerator

Toll-Free: 800-523-7138  
Phone: 215-244-1400  
Fax: 215-244-9579

539 Dunksferry Road  
Bensalem, PA 19020  
[www.continentalrefrigerator.com](http://www.continentalrefrigerator.com)

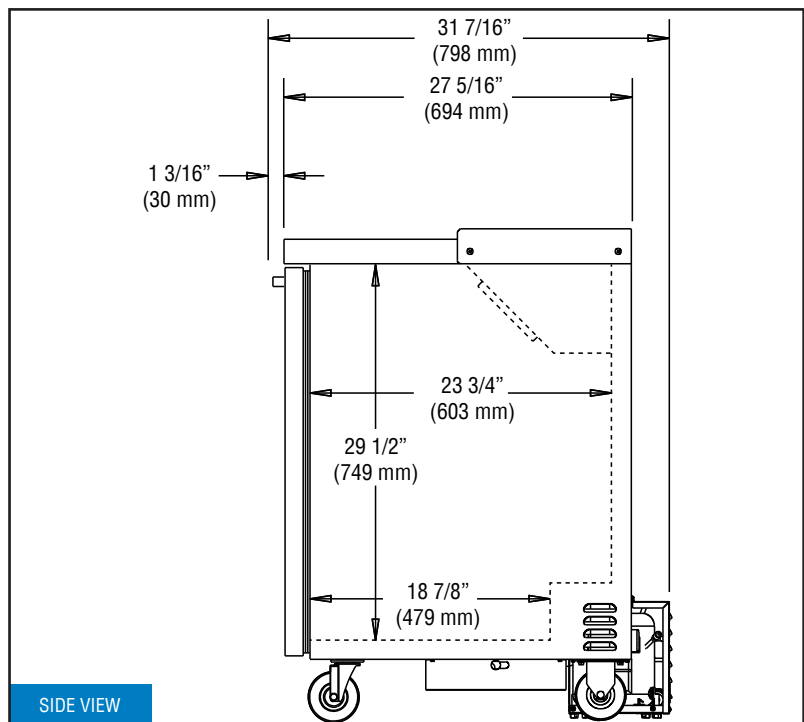
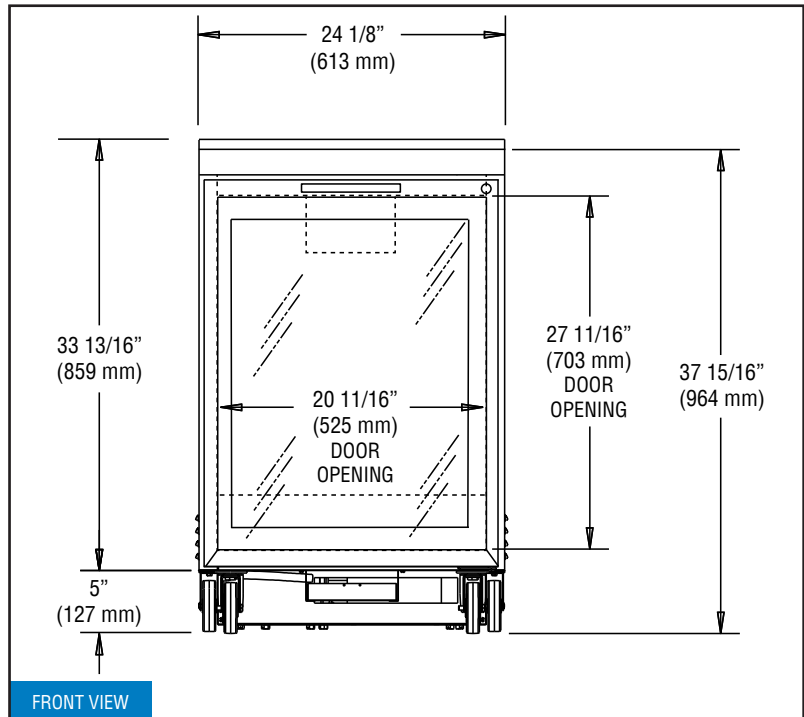
Due to our continued efforts in developing innovative products, specifications subject to change without notice.



PROUDLY  
DESIGNED & ASSEMBLED  
IN THE U.S.A.

© Copyright 2021. Continental Refrigerator.

# Model Plan Views



**IMPORTANT NOTE:** If the cabinet is located directly against a wall, a minimum clearance of 3" is required on sides, front and rear.

REVISED: 4/29/26