



# 5" Poly Wheel Plate Caster w/ Top Lock Brake

## Casters

### Certifications:



### Features:

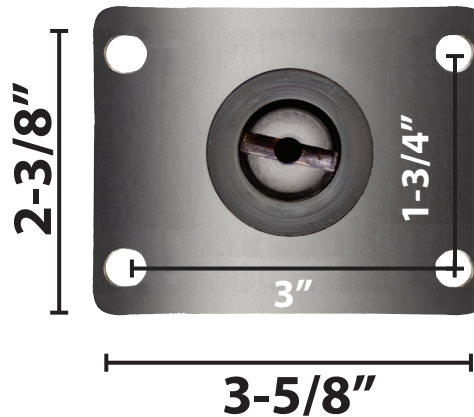
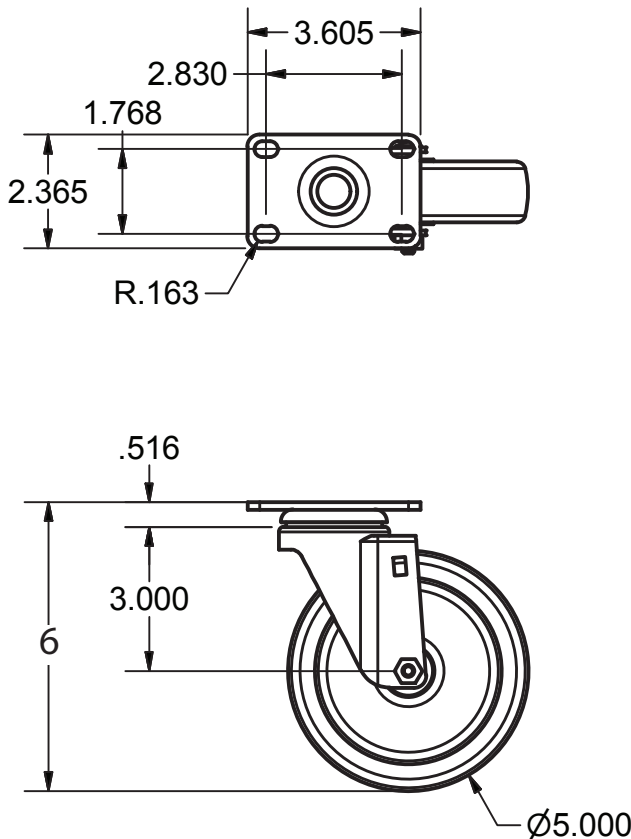
- 2-3/8" x 3-5/8" Plate
- 5" Polyurethane Wheel Resistant to Acids & Caustics
- Temperature Range -45° to 180°F
- Top Lock Brake
- 300# Weight Cap. per Caster
- -PS4 is a Caster Kit of (4) in POP Box

### Material:

- Polyurethane Wheel, Resistant to acids & caustics



Part Number	Description	Overall Height	Product Weight (lbs)
5SBR-1PT-PLY-TLB	5" Polyurethane Wheel Caster w/ Top Lock Brake	6"	2.20
5SBR-1PT-PLY-PS4	(4) 5" Polyurethane Wheel Caster w/ Top Lock Brake Caster Kit in POP Box	6"	9.50



PRODUCT DATA SHEET

BK RESOURCES

