



Project \_\_\_\_\_  
 AIA # \_\_\_\_\_ SIS # \_\_\_\_\_  
 Item # \_\_\_\_\_ Quantity \_\_\_\_\_ C.S.I. Section 114000

## UHT SERIES

Compact Undercounter Refrigerator  
 48" Models / Self-Contained  
 UHT48



### STANDARD PRODUCT FEATURES

- Stainless Steel Exterior Top, Sides & Doors
- Anodized Aluminum Interior
- Front Breathing Self-Contained Refrigeration System
- Environmentally Friendly, Non-Flammable R-450A Refrigerant
- Self-Closing Door(s) with Stay-Open Feature at 105 Degrees
- Anodized Aluminum Interior Door Liner
- Electronic Control
- Two (2) Powder Coated Shelves Per Door, Mounted on Pilasters
- Automatic Non-Electric Condensate Evaporator
- Magnetic Snap-In EZ-Clean Door Gasket(s)
- 8' (2.4 m) NEMA Cord & Plug Attached
- Set of Four (4) 4" Casters

### ACCESSORIES & OPTIONS (\*field installed)

- CK20 (four 6" (15.2 cm) high casters for 48" models)
- CK24 (four 3-1/2"(8.9 cm) high casters for 48" models)
- CK26 (four 2-3/4" (6.9 cm) high casters for 48" models)
- LK4 (four 6" (15.24 cm) high legs for 48" models)
- SHELF48 UPPER (upper shelf for 48" models)
- SHELF48 LOWER (lower shelf for 48" models)
- CU48TOP-BSW0 (heavy gauge stainless steel top with 4" (10.2 cm) backsplash 48")
- Optional accessory kits shipped separately for field installation



This unit is listed to the applicable UL, CSA and NSF Standards by an approved NRTL. Consult the factory or unit's data plate for approval information.

### AVAILABLE CONFIGURATIONS

27", 32", 48", 60", 72" Wide Models

Model	Door Style	Hinging
UHT48-LR	Two Solid Doors	Left/Right
UHT48-LL	Two Solid Doors	Left/Left
UHT48-RR	Two Solid Doors	Right/Right

### FACTORY INSTALLED OPTIONS

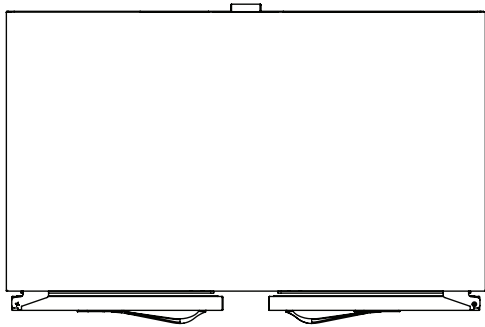
- Stainless Steel Finished Back \* Other Door Hinging

Approved by \_\_\_\_\_ Date \_\_\_\_\_ Approved by \_\_\_\_\_ Date \_\_\_\_\_

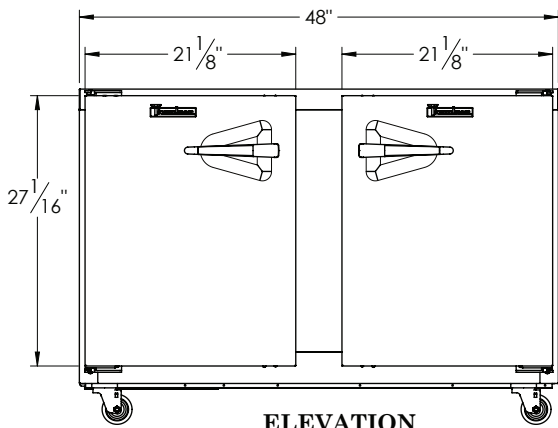
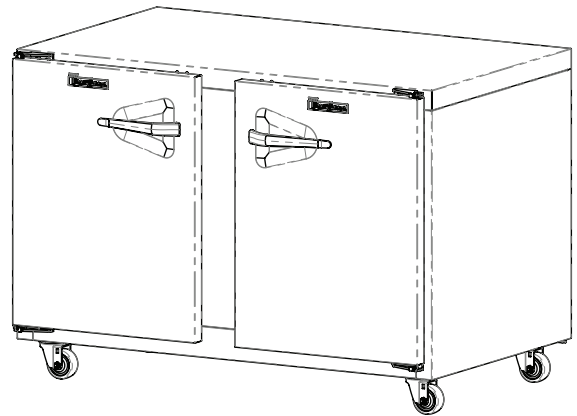


**MODELS:**

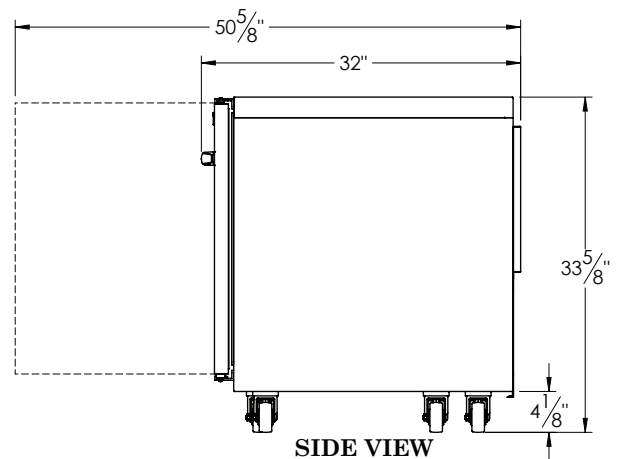
- UHT48-LR
- UHT48-LL
- UHT48-RR



**TOP VIEW**



**ELEVATION**



**SIDE VIEW**

CAD and/or Revit Files Available

<https://traulsen.klccad.com/>



# UHT SERIES

## Compact Undercounter Refrigerator 48" Models / Self-Contained

### MODELS:

UHT48-LR, -LL, -RR

### EQUIPMENT SPECIFICATIONS

MODELS	UHT48-__
<b>CABINET DIMENSIONAL DATA</b>	
Storage cu. ft.	13.56 (383 l)
Width cabinet in.	48 (112 cm)
Width - door in.	21 1/8 (53.7 cm)
Depth - door open 90° in.	50 3/8 (128.6 cm)
Clear door opening in.	18 (45.7 cm)
# of doors	2
# of shelves	4
Total shelf Area sq. ft.	10.3 (.96 m)
<b>ELECTRICAL DATA &amp;</b>	
Voltage   Plug	115/60/1   NEMA 5-15P (attached)
Full Load Amps	7.5
MDEC <sup>1</sup>	1.2 kWh/day
<b>REFRIGERATION DATA</b>	
Refrigerant	R-450A
Refrigerant Amount oz.	12.5 (354 g)
BTU <sup>2</sup> /HR   H.P.	1435   1/4 HP
<b>SHIPPING DATA</b>	
Width Crated in.	69 (175 cm)
Volume Crated cu. ft.	69 (1954 l)
Weight lbs. - Crated	355 (161 kg)

#### CONSTRUCTION, HARDWARE, INSULATION

Cabinet exterior front, one piece sides, and doors are constructed of heavy gauge stainless steel. Cabinet interior and door liners are constructed of anodized aluminum. The exterior cabinet back and bottom are constructed of galvanized steel.

Door self-closes at less than 90 degrees and also includes a stay open feature at 105 degrees. Gasket profile and material simplify cleaning and increase overall gasket life. Both the cabinet and door(s) are insulated with an average of 2" (5 cm) thick high density, non-CFC, foamed in place polyurethane.

#### REFRIGERATION SYSTEM

A balanced, rear mounted, front breathing, self-contained refrigeration system using environmentally friendly, non-flammable R-450A refrigerant is provided. It features a capillary tube, air cooled 1435 BTU. 1/4 HP, hermetic compressor, a forced air evaporator coil and a non-electric condensate evaporator. An 8' (2.4m) NEMA cord and plug is provided. Standard operating temperature for refrigerator models is 34° to 38°F (1.1° to 3.3°C).

#### CONTROLLER

An electronic digital control is supplied standard. It includes a 3-Digit LED display, and a Fahrenheit or Celsius temperature scale display capability.

#### INTERIOR

Standard interior arrangements include two (2) powder coated wire shelves per door, mounted on pilasters. These are adjustable in 1/2" (1.27 cm) increments, allowing for a minimum of 1-1/2" (3.81 cm) spacing between shelves.

#### DOMESTIC WARRANTY

Both a six year parts and labor warranty and a seven year compressor parts warranty (self-contained models) are provided standard.

#### NOTES:

1. MDEC = Maximum Daily Energy Consumption
  2. Compressor BTU based on a 90°F (32° C) degree ambient and 20°F (-6° C) degree evaporator.
- When ordering please specify: voltage, hinging and optional accessories.

CONTINUED PRODUCT DEVELOPMENT MAY NECESSITATE SPECIFICATION CHANGES WITHOUT NOTICE.