



FOOD EQUIPMENT

SERVING THE FOOD INDUSTRY SINCE 1951

13" WOK RANGE

Items: 47351 | Model: CE-CN-WOK NG



PREPARE YOUR STIR FRY DISHES WITH OMCAN'S 13" WOK RANGE!

Ideal for making wok dishes such as: stir fry dishes, sauteed vegetables, and much more. The compact size saves on space in your kitchen.



WARRANTY
PARTS AND LABOR



Authorized Dealer

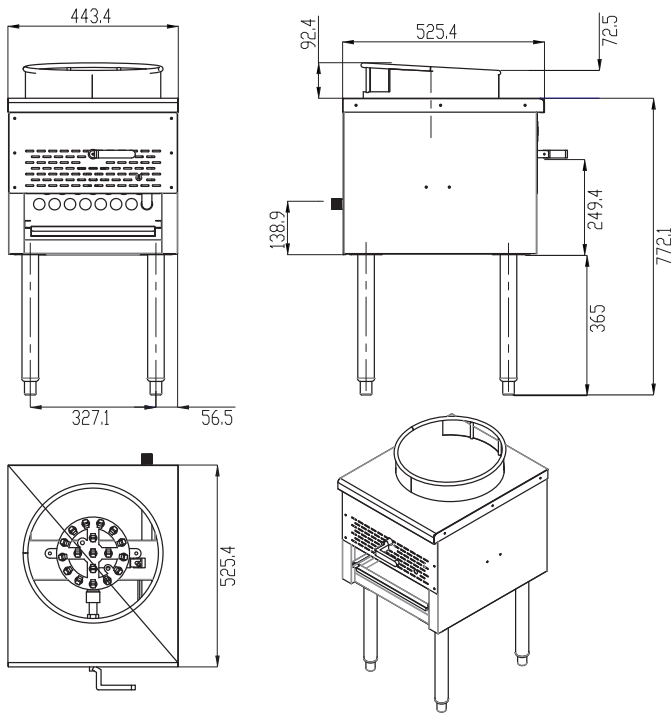
FOOD EQUIPMENT

13" WOK RANGE



TECHNICAL DRAWINGS & DIMENSIONS

*measurements in diagrams are in mm



TECHNICAL SPECIFICATIONS

Item	47351
Model	CE-CN-WOK NG
Number Of Burners	1
BTU	95,000
Pre-Heat Time	5 minutes
Gas Type	Natural
Cooking Area	13" diameter
Dimensions	17.48" x 25.11" x 35.63"
Gross Dimensions	17.91" x 22.64" x 22.83"
Weight	70.5 lbs / 32 kg
Gross Weight	88.2 lbs / 40 kg
Conversion Kit Included	NO

FEATURES:

- Stainless steel front and cabinet base
- Jet burner with an adjustable gas valve
- Pilot ignition
- 13" wok attachment, making stir-frying quick and easy
- Natural gas, 3/4" rear gas connection
- 5 minute pre-heat time



WARRANTY
PARTS AND LABOR



OMCAN INC.

Telephone: 1-800-465-0234
 Fax: (905) 607-0234
 Email: sales@omcan.com
 Website: www.omcan.com



Follow us to keep up to date with the latest news and offers



2017E&OE