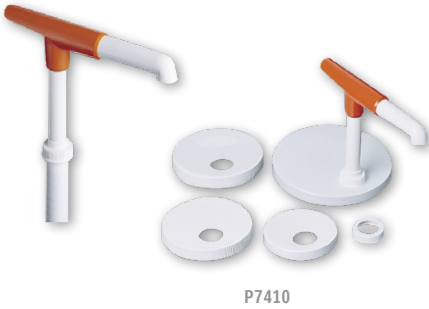


P7400



Mega Pump & Pump Kit

- Mega Pump is designed to handle thick and chunky condiments such as tartar sauce, blue cheese dressing and salsa
- Pump Kit includes 38, 89 and 110 mm size screw caps and snap caps in 110 and 160 mm sizes; 4" length tube included with each pump
- Fits Carlisle® Coldmaster Lid CM1033P07

ITEM	DESCRIPTION	QUANTITY
P7400	Dispenses 1 oz. (29.6 ml) portions	2 pumps bagged w/ header card
P7410	Dispenses 1 oz. (29.6 ml) portions	1 pump & 5 caps bagged w/ header card

Construction: High-impact plastic

P7500



Ultra Pump & Pump Kit

- Ultra Pump's fixed nozzle will not move while pumping
- Dispense condiments, sauces, dressings and toppings in one ounce portions
- Kit includes screw caps, and 9" length tube with each pump

ITEM	DESCRIPTION	QUANTITY
P7500	Dispenses 1 oz. (29.6 ml) portions	2 pumps bagged w/ header card
P7510	Dispenses 1 oz. (29.6 ml) portions	1 pump & 5 caps bagged w/ header card

Construction: High-impact plastic



Stainless Steel Syrup Pump

- Easily disassembles for cleaning
- Durable stainless steel construction

ITEM	DESCRIPTION	DIMENSIONS
P8400	For use with the 2½ Quart Fountain Jar (P9700BK)	10¼" H x 4¾" W x 7" D (257 x 111 x 178 mm)

Construction: 22-gauge stainless steel



Chocolate Pump

- Dispenses thicker chocolate syrups
- Easily disassembles for cleaning
- Durable stainless steel construction

ITEM	DESCRIPTION	DIMENSIONS
P8509	For use with 3½ Quart Fountain Jars	15" H x 4¾" W x 7" D (381 x 111 x 178 mm)

Construction: 22-gauge stainless steel