

"UBIB-21" UNDERBAR ICE BIN 21" Width

FEATURES:

- 18GA Stainless Steel Construction
- Type 300 Stainless Steel With #4 Polish, Satin Finish
- Foam Insulated Ice Bin
- Standard Threaded Inserts On Sides For Attaching Adjacent Units Together
- Standard Front Inserts For Speed Rail Attachment
- Access Plates On Top Of Backsplash For Soda Gun Lines
- Stainless Steel Front To Back Bracing

SPECIFICATIONS:

- Top: 18GA Type 300 Stainless Steel
- Front Apron: 18GA Type 300 Stainless Steel
- Backsplash: 18GA Type 300 Stainless Steel
- Sides: 18GA Type 300 Stainless Steel
- Bolt On 1-5/8" Stainless Steel Legs For Fast Installation
- 1-1/4" Front To Back Bracing
- 1" Adjustable Stainless Steel Bullet Feet
- Z-Clip To Mount To Wall
- Bolt To Adjacent Underbar Piece
- Legs Not To Be Removed On Ice Bins
- 1-7/8" Drain Plug
- 1" MPT 3-1/4" Long Drain Connection

CERTIFICATIONS:



PICTURE CAPTION

ACCESSORIES

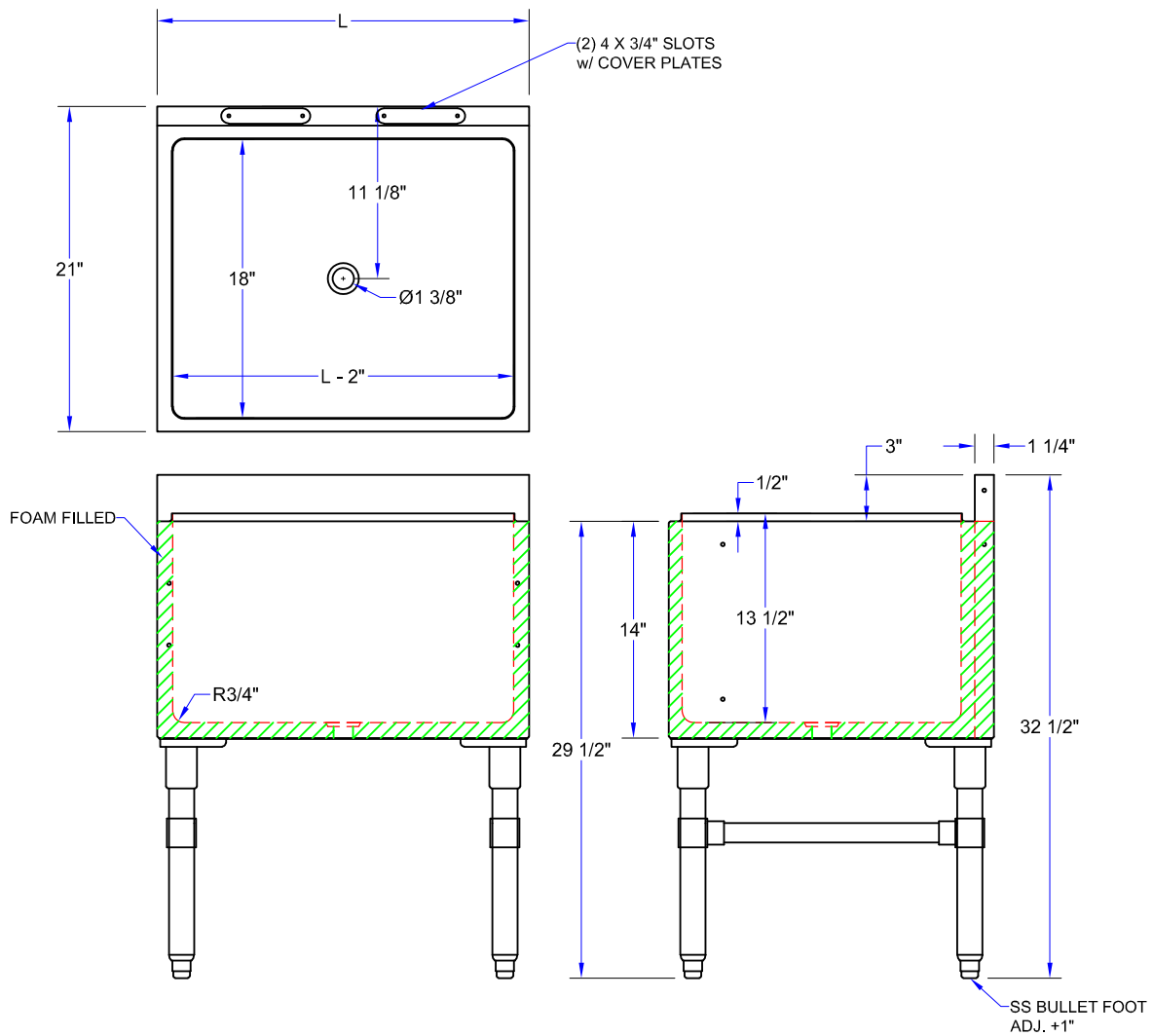
MODEL	DESCRIPTION
UBSS-21-L	Left Hand Side Splash
UBSS-21-R	Right Hand Side Splash
UBSR1-24	24" Single Speed Rail
UBSR1-30	30" Single Speed Rail
UBSR1-36	36" Single Speed Rail
UBSR2-24	24" Double Speed Rail
UBSR2-30	30" Double Speed Rail
UBSR2-36	36" Double Speed Rail
UBIBL-2124-BWH	Bottle Well Holder With Lid For 24"x21" Ice Bin
UBIBL-2130-BWH	Bottle Well Holder With Lid For 30"x21" Ice Bin
UBIBL-2136-BWH	Bottle Well Holder With Lid For 36"x21" Ice Bin

"UBIB-21" UNDERBAR ICE BIN

MODEL	SIZE (LXWXH)	LENGTH (L)	WEIGHT (LBS)
UBIB-2124	24"x21"x32-1/2"	24"	70
UBIB-2130	30"x21"x32-1/2"	30"	80
UBIB-2136	36"x21"x32-1/2"	36"	90

ALL DIMENSIONS ARE TYPICAL. TOLERANCE +/- .500". JOHN BOOS & CO. RESERVES THE RIGHT TO CHANGE SPECIFICATIONS WITHOUT NOTICE.

DETAILED SPECIFICATIONS



"UBIB-21" UNDERBAR ICE BIN

MODEL	SIZE (LXWXH)	LENGTH (L)	WEIGHT (LBS)
UBIB-2124	24"x21"x32-1/2"	24"	70
UBIB-2130	30"x21"x32-1/2"	30"	80
UBIB-2136	36"x21"x32-1/2"	36"	90

ALL DIMENSIONS ARE TYPICAL. TOLERANCE +/- .500". JOHN BOOS & CO. RESERVES THE RIGHT TO CHANGE SPECIFICATIONS WITHOUT NOTICE.