

Mobile Raised Frost Top Counter

Standard Features

FRAME: Featuring frameless construction utilizing 16 gauge stainless steel formed end panels with top and bottom horizontal members of 16 gauge stainless steel.

CASTERS: Heavy duty 5" diameter plate casters with gray rubber tires. Brake models to be supplied on all casters.

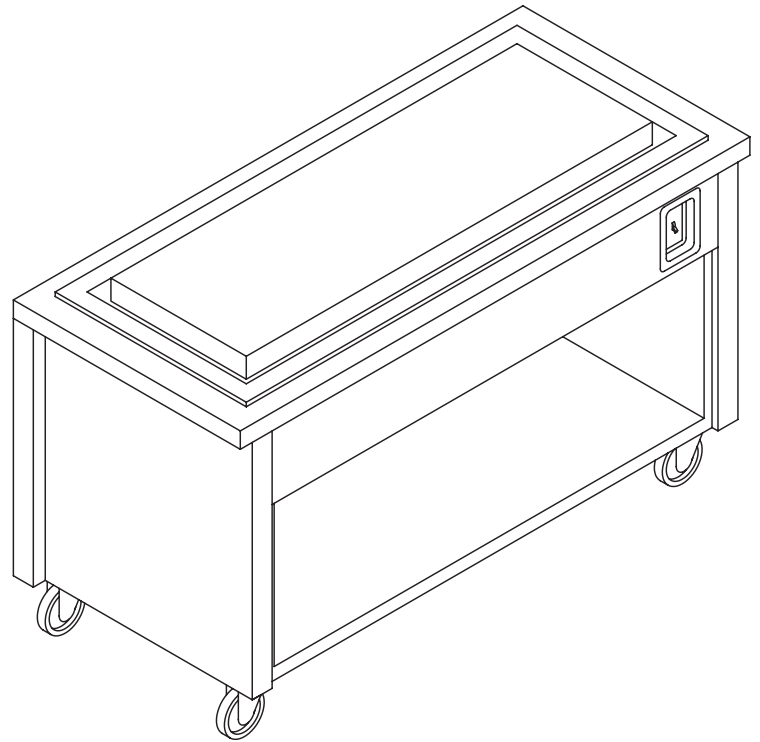
TOP: 14 gauge stainless steel with 2" turndown on all sides and sound deadening applied between top and frame.

FRONT BODY PANEL: Removable stainless steel or plastic laminate front panel.

UNDERSHELF: 18 gauge stainless steel with 18" high ends and 4" high back. Undershelf is held back 6" from front panel forming a utility chase for plumbing and electrical services.

FROST TOP UNITS: Mechanically cooled stainless steel raised pan 1 1/2" high. Trough slopes to 1/2" drain. Self contained R-404A high temperature hermetically sealed with expansion valve and pressure switch operation condensing unit.

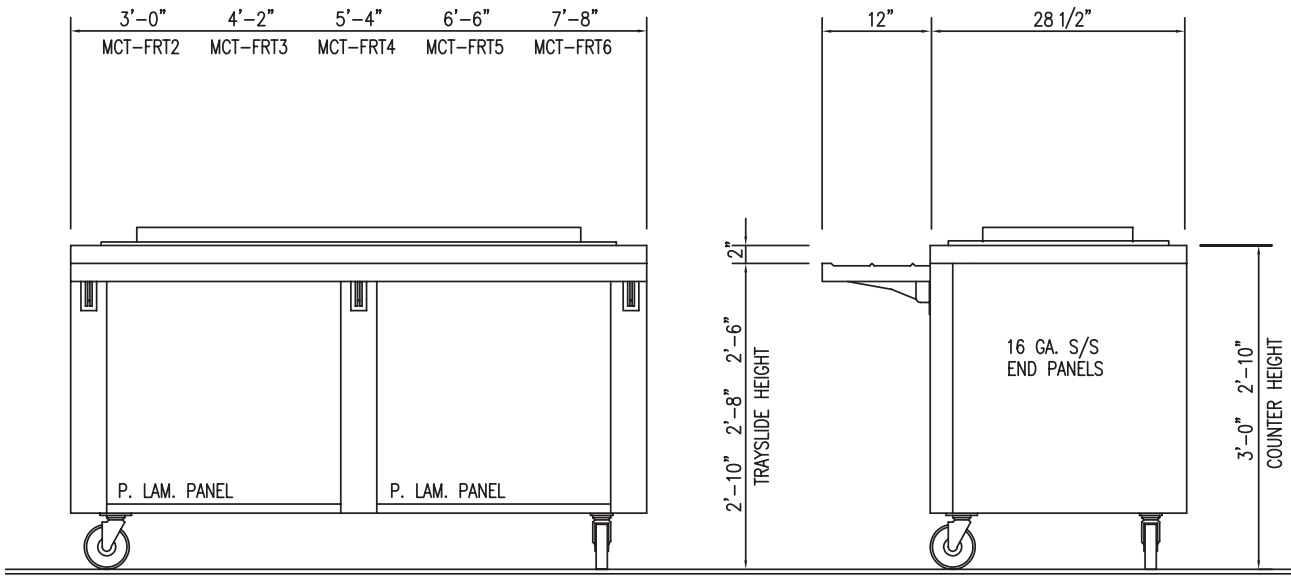
STAINLESS STEEL SPECIFICATION: All stainless steel to be type 304 with number 4 finish.



MODEL	LENGTH	PAN CAPACITY	HP	VOLTS	PHASE	NEMA AMPS	APPROX. CORD/CAP	SHIP WEIGHT
MCT-FRT2	36"	2	1/4	120	1	10.0	NEMA 5-15P	370 lbs
MCT-FRT3	50"	3	1/4	120	1	10.0	NEMA 5-15P	460 lbs
MCT-FRT4	64"	4	1/4	120	1	10.0	NEMA 5-15P	510 lbs
MCT-FRT5	78"	5	1/3	120	1	10.0	NEMA 5-15P	590 lbs
MCT-FRT6	92"	6	1/3	120	1	10.0	NEMA 5-15P	660 lbs



Mobile Raised Frost Top Counter



Optional Features

FRONT BODY PANEL: Ceramic tile front panel.

TRAYSLIDE: Stainless steel or Corian® trayslide mounted on fold down brackets. Stainless steel tubular trayslide also available, on fold down brackets.

WORKSHELF: 16 gauge stainless steel 8" wide shelf mounted at rear on fold down brackets.

PLATESHELF: 16 gauge stainless steel 8" wide shelf mounted at rear on fold down brackets

FLUORESCENT LIGHT: Pre-wired fluorescent light fixture with safety shields and toggle switch.

ADDITIONAL WARRANTY: Additional 12 month limited warranty on parts and labor.

SERVING SHELF: 16 gauge stainless steel or Corian® single serve with 1 1/2" turndown on all sides. Support post of 1 1/4" 18 gauge stainless. Includes sneezeguard of 3/8" thick high grade Lexan® with polished edges.

DISPLAY SHELF: 16 gauge stainless steel or Corian® two-tier shelf with 1 1/2" turndown on all sides. Support post of 1 1/4" 18 gauge stainless. Includes sneezeguard of 3/8" thick high grade Lexan® with polished edges.

BUFFET SERVICE: Dual service shelf with dual service sneezeguard of 3/8" thick high grade Lexan® with polished edges.

OPTIONAL COUNTER/TRAYSLIDE HEIGHT:
 Elementary schools – 34" counter / 30" trayslide
 Middle School – 34" counter / 32" trayslide
 High School – 36" counter / 34" trayslide

For options / accessories / modifications not shown, please contact factory.

Mod-U-Serve reserves the right to modify specifications or discontinue models without notice or incurring obligation.



2320 Peyton Houston, Texas 77032
 Phone 281-442-8001 Toll Free: 888-955-5463 Fax: 281-442-3351 www.mod-u-serve.com

MUS.10 11/05