



PERLICK®



MODEL NUMBERS - DDS36, DDS60, DDS84, DDS108,

SELF-CONTAINED DIRECT DRAW



JOB	
AREA	
ITEM NO.	
MODEL NO.	



DDS84 shown with optional Draft Arm Towers.



DDS36 shown with All Black Exterior

MODELS
DDS36
DDS60
DDS84
DDS108

KEY PRODUCT FEATURES AND BENEFITS

- Energy efficient self-contained R290 Hydrocarbon refrigeration system provides industry leading cooling performance and temperature consistency
- Select from a wide selection of styles in stainless steel or Tarnish Free Brass finishes with 1 to 6 faucets
- Reinforced bumpers on door sills protect frame while loading kegs for life long durability
- 2" Foamed-in-place insulation provides energy savings using Ecomate(tm), a blowing agent that has zero-ozone depletion and zero global warming potential
- End wall compressor and evaporator design increases storage capacity by 14% compared to top mounted designs
- Full stainless steel drainer can be plumbed directly to floor drain
- Anti-sweat heaters in cabinet face prevents condensation from forming on door, extending door gasket life and protecting flooring below from damage or slip hazards
- Choose between solid stainless steel, all black, or customer provided overlay door

QUICK FEATURES

- Integrated door locks standard on all units
- Choose compressor mounted on left or right side of cabinet to match your space
- NSF Rated digital controller allows for easy and precise temperature changes
- 6000K white LED lighting
- Choose between Full Length, 6" Chrome, or pull tab style handles
- 1 Year Parts and Labor Warranty, 5 Year Compressor Warranty

OPTIONS

MODEL NOS.	DESCRIPTION
DDS36	1-Door Model
DDS60	2-Door Model
DDS84	3-Door Model
DDS108	4-Door Model

Form No. 95171
Rev. 04.24.26



PERLICK®



SELF-CONTAINED DIRECT DRAW

MODEL NUMBERS - DDS36, DDS60, DDS84, DDS108,

MODEL NUMBERS		DDS36	DDS60	DDS84	DDS108
NUMBER OF DOORS		1	2	3	4
EXTERIOR CABINET DIMENSIONS	Length - in. (mm)	36 (914)	60 (1524)	84 (2134)	108 (2743)
	Depth - in. (mm)	24¾ (629)	24¾ (629)	24¾ (629)	24¾ (629)
	Height - in. (mm)	34⅞ (878)	34⅞ (878)	34⅞ (878)	34⅞ (878)
INTERIOR CABINET DIMENSIONS	Length - in. (mm)	20 (508)	44 (1118)	68 (1727)	92 (2337)
	Depth - in. (mm)	18¾ (476)	18¾ (476)	18¾ (476)	18¾ (476)
	Height - in. (mm)	31 (787)	31 (787)	31 (787)	31 (787)
* INTERNAL VOLUME, Net. Cu. Ft. (liters)		7.4 (210)	16 (453)	24.8 (702)	33.5 (949)
SHIPPING WEIGHT, Lbs. (kg.)		227 (102)	340 (154)	490 (222)	671 (304)
ELECTRICAL SPECIFICATIONS	Electrical Supply	120 VAC/60 Hz/1 Ph	120 VAC/60 Hz/1 Ph	120 VAC/60 Hz/1 Ph	120 VAC/60 Hz/1 Ph
	Running Load Amps	1.8	2.5	4.2	4.2
	Electrical Connection	Cord connected	Cord connected	Cord connected	Cord connected
	Cord Plug Type	NEMA 5-15	NEMA 5-15	NEMA 5-15	NEMA 5-15
	Cord Length	6'5"	6'5"	6'5"	6'5"
	Defrost Initiation	Automatic	Automatic	Automatic	Automatic
	Defrost Type	Off cycle	Off cycle	Off cycle	Off cycle
	Thermostat	Digital control	Digital control	Digital control	Digital control
REFRIGERATION SPECIFICATIONS	Horsepower	1/6	1/5	1/4	1/4
	Refrigerant	R290	R290	R290	R290
	Refrigerant Charge (grams)	90	100	90	90
	Factory Temperature Setting - Refrigerator F (C)	38° (3.3°)	38° (3.3°)	38° (3.3°)	38° (3.3°)
	Temperature Range - Refrigerator F (C)	33°-40° (0.5°-4.5°)	33°-40° (0.5°-4.5°)	33°-40° (0.5°-4.5°)	33°-40° (0.5°-4.5°)
	Condensing Unit Location	Left or Right	Left or Right	Left or Right	Left or Right
	Expansion Device	Capillary tube	Capillary tube	Capillary tube	Capillary tube
	Pull-Out Condensing Unit	Yes	Yes	Yes	Yes
	Front Vented	Yes	Yes	Yes	Yes
PLUMBING	Floor Drain Included	Yes	Yes	Yes	Yes
	Evaporator Condensate	Automatically	Automatically	Automatically	Automatically

* Note: For keg capacities and layouts, go to www.perlick.com.

Form No. 95171
Rev. 04.24.26



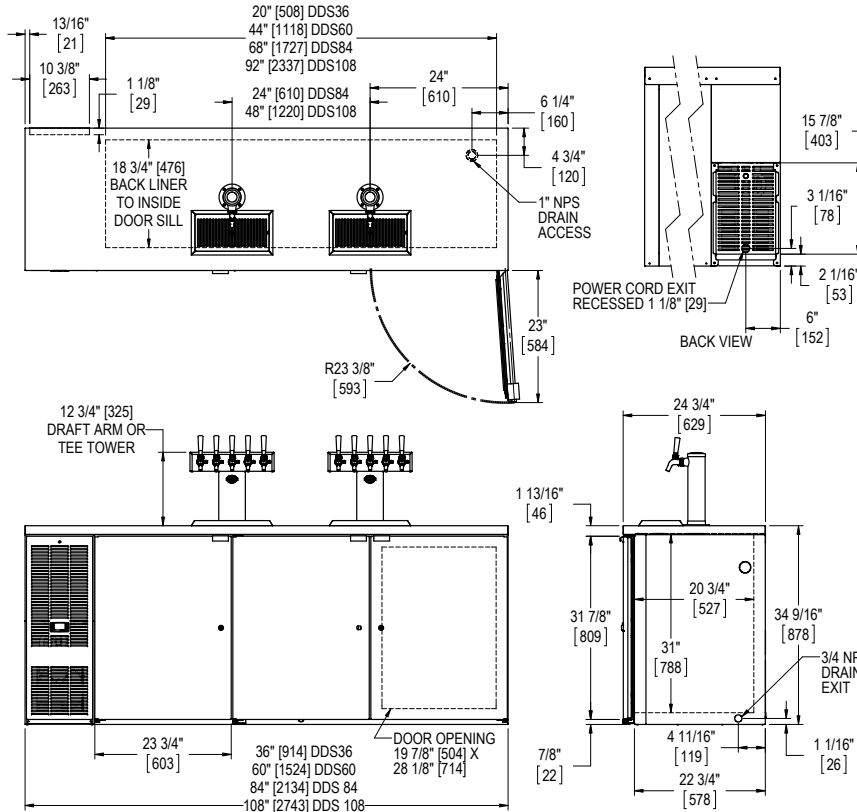
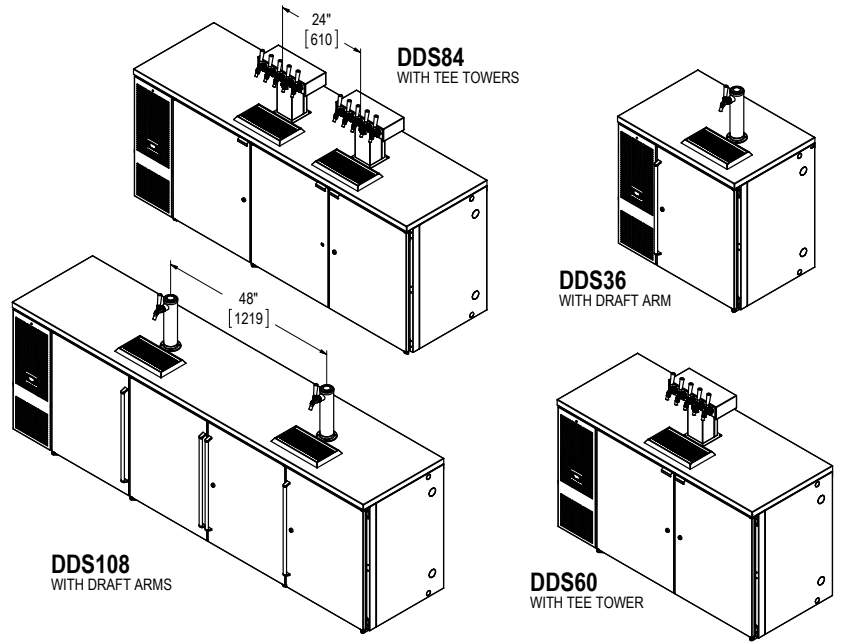
PERLICK®



MODEL NUMBERS - DDS36, DDS60, DDS84, DDS108,

SELF-CONTAINED DIRECT DRAW

Note: All Dispensing Towers shown are optional and must be ordered separately.



Form No. 95171
Rev. 04.24.26