

# Fryers

## Standard Features

- Stainless steel exterior and interior
- Welded stainless steel tank
- Heavy duty burners with a standing flame, standby pilots
- High quality millivolt thermostat (T-Stat) maintains select temperature automatically between 200°F – 400°F
- Oil cooling zone in the bottom of the tank captures food particles and extends oil life
- Safety valve with an automatic voltage stabilizing function
- Self-reset high temperature limiting device
- Two (2) nickel plated baskets with coated handles standard
- Wire mesh crumb screen and basket hanger standard
- Available in Natural & Propane gas
- 3/4” NPT rear gas connection and regulator
- Four (4) casters standard

## Optional Accessories

- Leg kit part #: 301110006
- Fryer splash guard part #: 21101001047
- ATFS-40ES & ATFS-50ES Fryer cover #: 21201001019
- ATFS-75ES Fryer cover #: 21201003015
- Joiner strip #: 21101001046

### MODELS:

**ATFS-40ES / ATFS-50ES / ATFS-75ES**



**ATFS-40ES**



**ATFS-50ES**



**ATFS-75ES**



**1 YEAR PARTS AND LABOR WARRANTY**



Conforms to ANSI  
STD Z83.11-2009 (2011)  
Certified for CSA  
STD 1.8B-2009 (2011)  
Conforms to NSF/ANSI STD.4

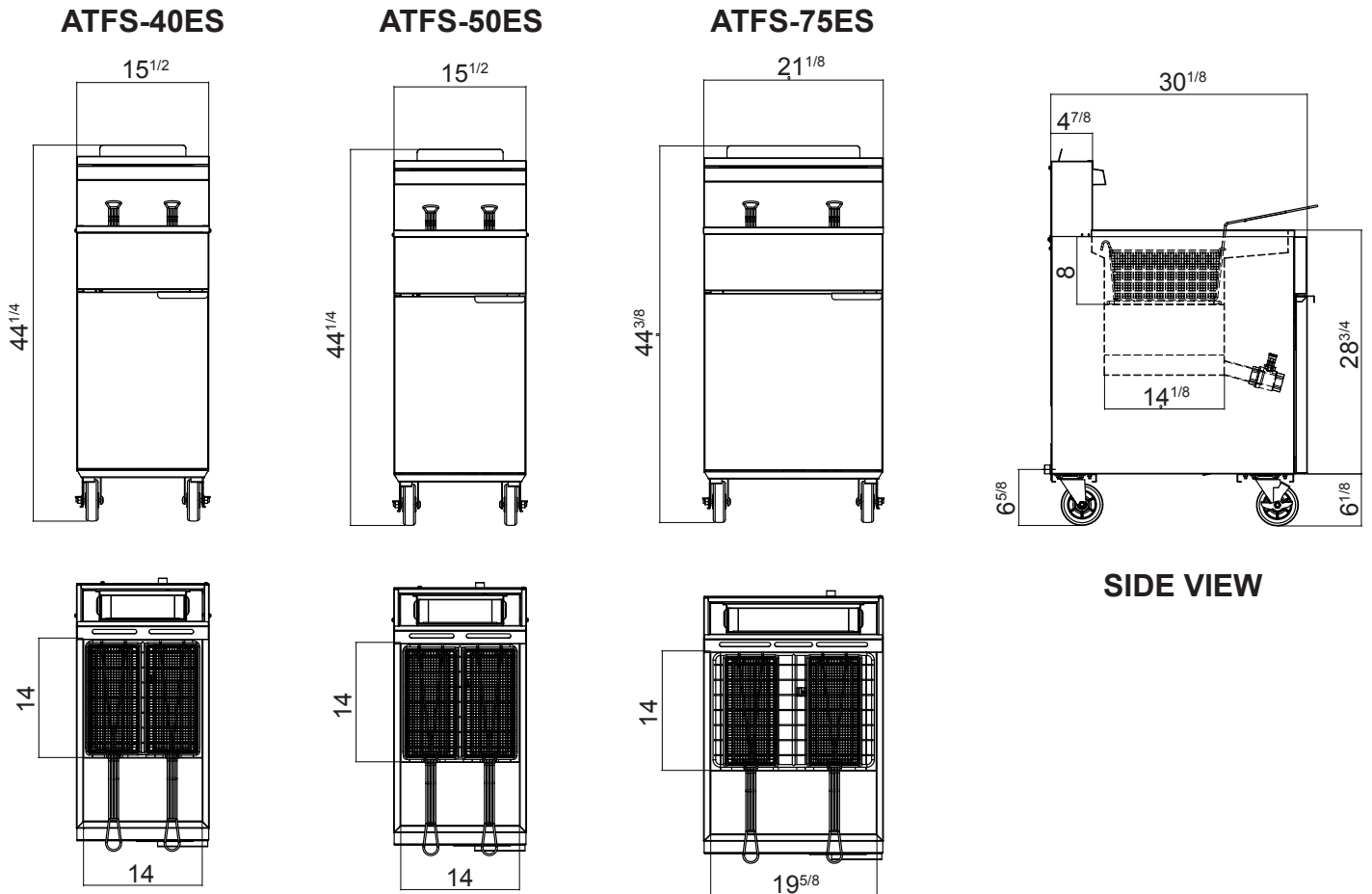


**"WE MAKE THE KITCHEN BETTER!"**

**SPECIFICATIONS**

Models	Burners and Control Method	Gas Type	Intake-tube Pressure (in.W.C.)	Per BTU B.T.U./h	Total BTU B.T.U./h	Regulator	Basket Dimensions (inch)	Exterior Dimensions (inch)	Net Weight (lbs)	Gross Weight (lbs)
ATFS-40ES	3 Burners, Independent Manual Control	NG	4	22,000	66,000	4" w.c.	13 <sup>3/10</sup> ×6 <sup>1/2</sup> ×5 <sup>9/10</sup>	15 <sup>1/2</sup> ×30 <sup>1/8</sup> ×44 <sup>1/4</sup>	131	160
		LP	10	22,000	66,000	10" w.c.				
ATFS-50ES	4 Burners, Independent Manual Control	NG	4	22,000	88,000	4" w.c.	13 <sup>3/10</sup> ×6 <sup>1/2</sup> ×5 <sup>9/10</sup>	15 <sup>1/2</sup> ×30 <sup>1/8</sup> ×44 <sup>1/4</sup>	143	171
		LP	10	22,000	88,000	10" w.c.				
ATFS-75ES	5 Burners, Independent Manual Control	NG	4	22,000	110,000	4" w.c.	13 <sup>3/10</sup> ×9 <sup>1/2</sup> ×5 <sup>9/10</sup>	21 <sup>1/8</sup> ×30 <sup>1/8</sup> ×44 <sup>3/8</sup>	168	200
		LP	10	22,000	110,000	10" w.c.				

**PLAN VIEW**



**SIDE VIEW**

Stainless steel tank



Baskets



Basket hanger



Temperature limiting device

