

# SEAGATE



## One Door Reach-In Refrigerator **SKU: S3R**

- Spacious: 65.63 cu ft capacity
- Durable: Stainless steel exterior, aluminum interior
- Efficient: Low energy Usage
- Convenient: Self-closing doors, LED lighting
- Certified: ETL Electrical, ETL Sanitation, DOE
- Mobility: Locking casters
- Powerful: hermetically sealed compressor
- Sleek: Silver finish, swing doors
- Temp Range: 33°F to 41°F



|                      |                  |
|----------------------|------------------|
| Refrigerant          | R290             |
| Horsepower (HP)      | 1/4              |
| Voltage (V)          | 115V/60hz        |
| Self Closing Door    | Yes              |
| Interior Material    | Painted Aluminum |
| Exterior Material    | Stainless Steel  |
| Color                | Silver           |
| Door Style           | Swing            |
| Door Type            | Solid            |
| Number of Doors      | 3                |
| Compressor Location  | Bottom Mounted   |
| Shelf Capacity (lbs) | 85               |

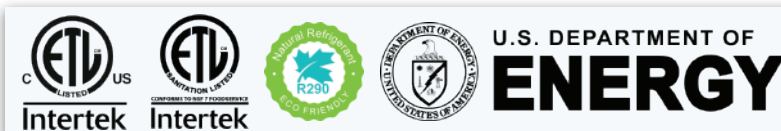
Introducing our top tier 3-door reach-in refrigerator, S3R, meticulously designed to offer outstanding performance and steadfast reliability tailored to meet the demanding requirements of your commercial kitchen. This refrigerator features an expansive interior, with dimensions measuring 76 3/4 inches in width, 24 2/5 inches in depth, and 60 2/5 inches in height, providing an impressive storage capacity of 65.63 cubic feet, thoughtfully designed to accommodate all your essential refrigerated items.

Crafted with a robust stainless steel exterior and a pristine painted aluminum interior, this unit harmoniously merges durability with a polished and hygienic aesthetic. The substantial 2-inch insulation, featuring Cyclopentane, guarantees optimum temperature retention, preserving your frozen products in impeccable condition.

| Item     | Width (Inch) | Depth (Inch) | Height (Inch) |
|----------|--------------|--------------|---------------|
| Exterior | 80.7         | 32.1         | 82.9          |
| Interior | 76.8         | 24.4         | 60.4          |

| Capacity (Cu Ft) | Number of Shelves | Casters  | Hotel Pan Size (inch) |
|------------------|-------------------|----------|-----------------------|
| 65.63            | 9                 | Included | N/A                   |

- **Heavy-duty:** Crafted with a sturdy stainless steel exterior, painted aluminum interior, and a reliable 304 stainless steel floor
- **Spacious:** Equipped with three epoxy-coated shelves, each capable of supporting up to 85 pounds
- **Insulated:** Features a substantial 2-inch insulation for optimum temperature retention
- **Powerful:** Driven by a robust 1/4 HP compressor
- **Efficient:** Low energy consumption with hydrocarbon based natural R290 refrigerant



Seagate Refrigeration | Burkett Restaurant Equipment and Supplies: 419-720-8186 | [sales@burkett.com](mailto:sales@burkett.com)

Note: Specifications subject to change without notice  
Do not use in non-commercial or residential settings

Equipped with three robust epoxy-coated shelves, each with a capacity to support up to 85 pounds, you'll find ample storage space for your ingredients and products. The internal LED lighting guarantees exceptional visibility, simplifying the task of locating items within.

Efficiency is at the core of this refrigerator's design, utilizing R290 refrigerant and powered by a capable 1/6 horsepower compressor operating at 115V/60Hz. This translates to remarkably low energy consumption, merely 3.2 KW per 24 hours, leading to significant long-term cost savings.

| Hinge Location   | Amps (A) | Hertz (Hz) | Temperature Range | Caster Size (inch) |
|------------------|----------|------------|-------------------|--------------------|
| Left/Right/Right | 3.5      | 60         | 33°F to 40°F      | 4.88               |

The **Seagate** brand is synonymous with unwavering quality, and this refrigerator is no exception. Whether you operate within the foodservice industry or a commercial kitchen, you can rely on this unit to maintain your products at their desired refrigerated temperatures, preserving their freshness and quality.

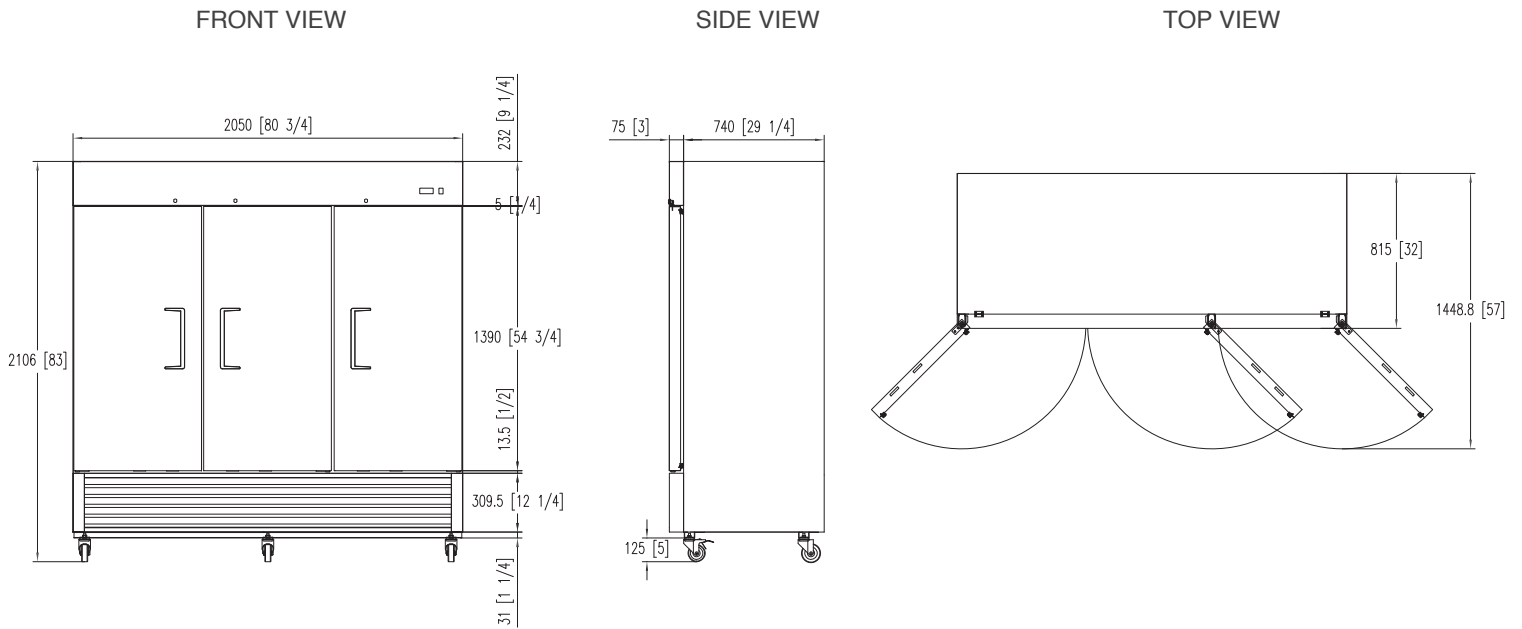
### Three Door Reach-In Refrigerator **SKU: S3R**

The self-closing doors not only add convenience but also boost energy efficiency by securely locking when necessary. The unit's mobility is effortlessly enabled by 4 7/8 inch casters, with the option to lock two of them in place to ensure stability.



Invest in the future of your business with our S3R three-door reach-in refrigerator. It embodies a powerful, energy-efficient, and reliable addition to any kitchen, meticulously designed to meet your needs for many years to come.

# Technical Data:



## Three Door Reach-In Freezer SKU: S3R

**Seagate's  
Comprehensive Warranty:**

**2** Years **PARTS & LABOR  
WARRANTY**

**5** Years **COMPRESSOR  
WARRANTY**

