

# Mobile Tray / Silverware Dispenser-Double

## Standard Features

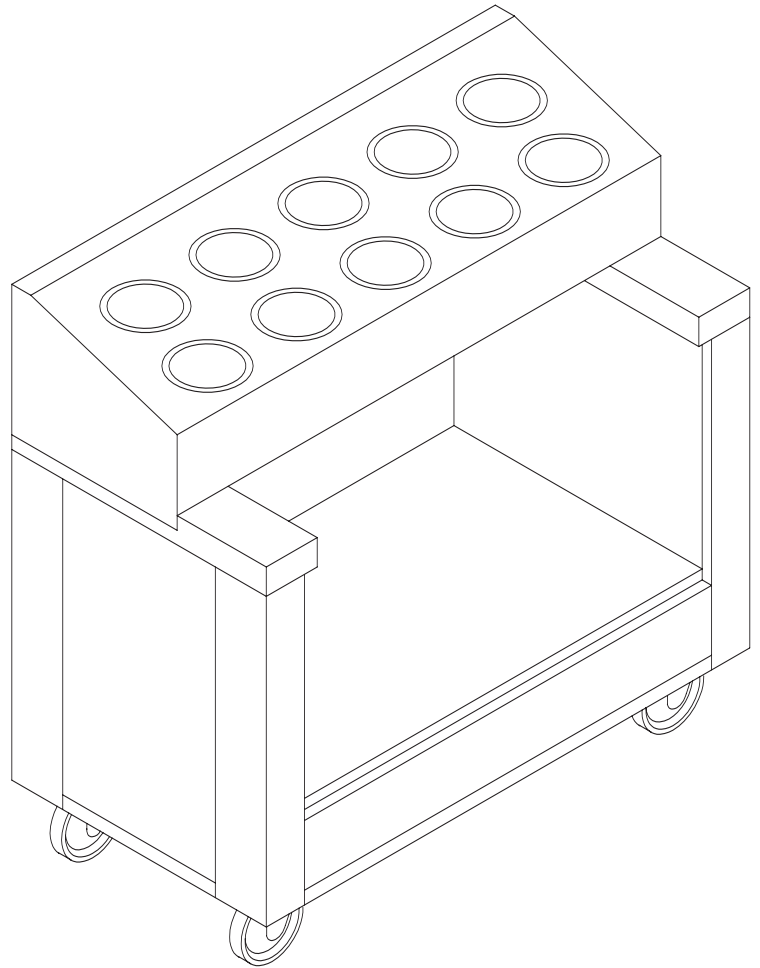
**FRAME:** Featuring frameless construction utilizing 16 gauge stainless steel formed end panels with 18 gauge bottom channels and 1 1/4" square tubing top frame.

**CASTERS:** Heavy duty 5" diameter plate casters with gray rubber tires. Brake models to be supplied on all casters.

**SIDE PANELS:** Removable plastic laminate panel

**SILVERWARE DISPENSER:** 16 gauge stainless steel sloped overhead-type silverware dispenser, enclosed on all four sides, and provided with ten (10) openings with nylon removable cylinders.

**STAINLESS STEEL SPECIFICATION:** All stainless steel to be type 304 with number 3 finish.

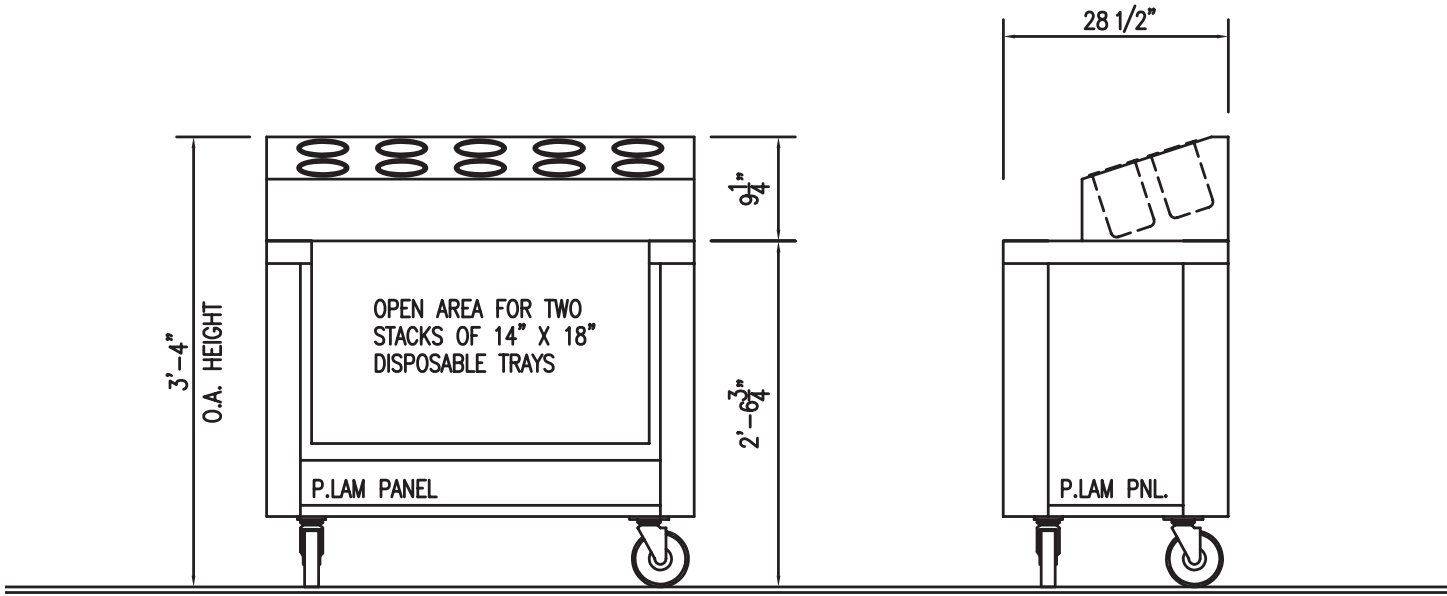


MODEL	DIMENSIONS	SHIP WEIGHT
MCT-TS2	38" L x 28.5" W x 40" H	250 lbs



2320 Peyton Houston, Texas 77032  
Phone 281-442-8001 Toll Free: 888-955-5463 Fax: 281-442-3351 [www.mod-u-serve.com](http://www.mod-u-serve.com)

# Mobile Tray / Silverware Dispenser-Double



## Optional Features

**LEGS:** 6" adjustable stainless steel legs in lieu of casters.

For options / accessories / modifications not shown, please contact the factory.



Mod-U-Serve reserves the right to modify specifications or discontinue models without notice or incurring obligation.



2320 Peyton Houston, Texas 77032

Phone 281-442-8001 Toll Free: 888-955-5463 Fax: 281-442-3351 [www.mod-u-serve.com](http://www.mod-u-serve.com)

MUS.21 11/05