

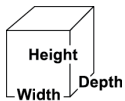
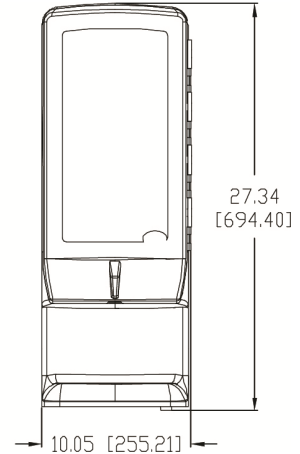
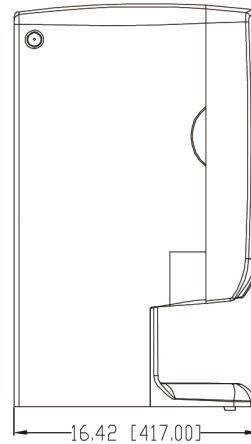


GOLD MEDAL® PRODUCTS CO.

Nacho Cheese Dispenser

Model No. 5300 and 5300ND

Specifications



**Model 5300 shown for reference
(Model 5300ND does not include decals)**

Overall Dimensions:

Width: 10.05" (255.21mm)
Depth: 16.42" (417.00 mm)
Height: 27.34" (694.40 mm)

Description:

Model 5300 - Cheese Dispenser with El Nacho Grande Decals
Model 5300ND - Cheese Dispenser without decals

Features:

- Three button cheese dispenser (large portion, small portion, and manual dispense).
- Capability to adjust dispense time for large and small portion buttons.
- Not acceptable for "open" volatile food products.

Electrical - Domestic

120V
225 WATTS 60 HZ
(NEMA 5-15P) Plug

Plug Type:



Agency Approvals:



Gold Medal Products Co.
10700 Medallion Drive, Cincinnati, OH 45241

Ph: (513) 769-7676, (800) 543-0862; Fax: (513) 769-8500
gmpopcorn.com info@gmpopcorn.com