



Model No.

**SGSB-36**



## Features:

- Stainless steel structure
- 6 Cast iron burners
- Infrared burner can cook food faster
- Spring-balanced lifting system, easy to adjust
- Grills can be rolled out for easy loading, unloading, and cleaning
- Grill stopper to prevent grill falling off
- 5-height locking position for different temperatures
- Continuous pilot for instant ignition of main burner
- Stainless steel crumb tray to collect dropped food
- Wall mounting kit included for saving kitchen space
- 36" or 60" range Mounting Bracket Kit can be ordered separately
- 3/4" NPT rear gas connection
- Manual control

## Warranty Info:

### One Year

- Parts & Labor on entire unit.
- Valid in United States.
- Valid for commercial use only.

Revised 09/14/2023

**SGSB-36**



Intertek



Intertek

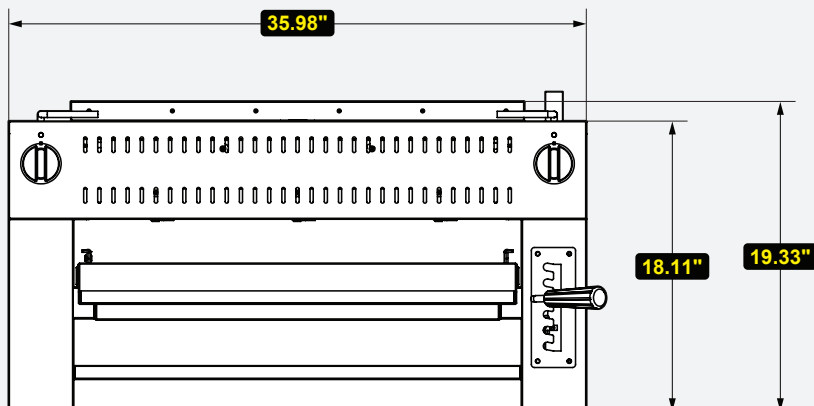


[www.servware.com](http://www.servware.com)

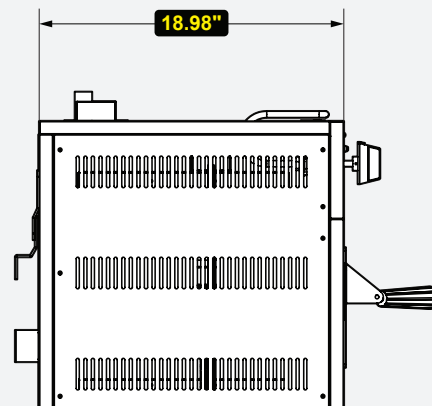
Phone:(800).768.5953

Fax:(800).976.1299

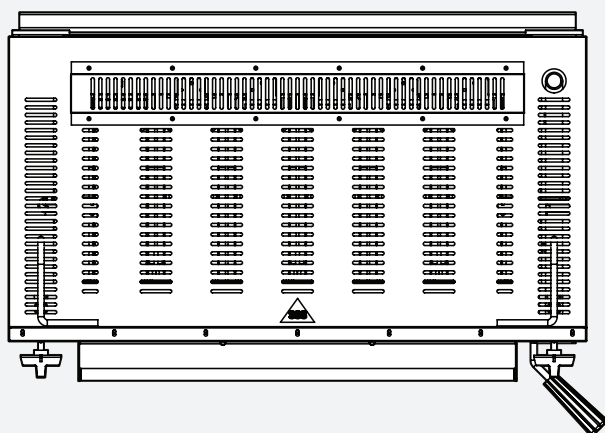
Front View



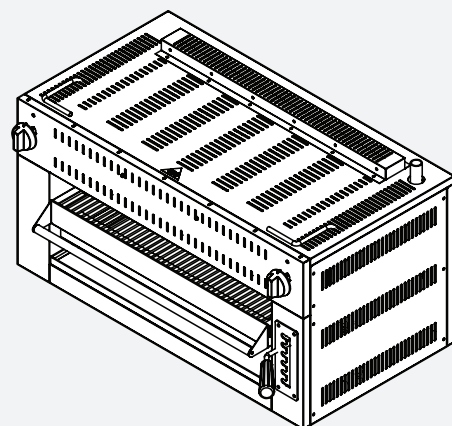
Side View



Top View



Isometric View



➤ Technical Information:

MODEL #	DESCRIPTION	DIMENSIONS	WEIGHT/LBS.
		( W x D x H )	(Shipping)
SGSB-36	36" Gas Salamander	36" W x 19" D x 16.5" H	104 lbs.

CONSTRUCTION
Stainless Steel construction with a Stainless Steel crumb pan and Infrared burners

COOKING	
BTU/H	48,000
Gas Line	3/4"
W.C. for Natural Gas	4 in.
W.C. for LP	10 in.



Prop. 65 Warning for California Residents  
 WARNING: This product may contain chemicals known to the State of California to cause cancer, birth defects, or other reproductive harm.



Phone:(800).768.5953  
 Fax:(800).976.1299

## SGSB Series - Salamander

**Notify carrier of damage! Inspect all components immediately.**

*Serv-Ware Products warrants to the original owner/user that any piece of gas cooking equipment manufactured shall be free of defects in material or workmanship, under normal use and maintenance, for a period of one (1) year from the original installation date or a maximum of eighteen (18) months after the shipment date from Serv-Ware Products. Proper installation and start-up in accordance with the instruction manual supplied will be taken into consideration when evaluating the warranty on the specified equipment. Labor warranty charges are valid in the United States only.*

*The labor warranty shall include standard labor charges at the product location only. The end user is responsible for any emergency, overtime, or long-distance travel charges. Any labor service required to fulfill the warranty obligation must be performed by a qualified gas appliance service company and accepted by Serv-Ware Products. Billing will be handled between the service company and manufacturer directly, there will be no compensation for charges not billed to Serv-Ware Products by the service company. Serv-Ware Products reserves the right to have any warranty "failed" parts returned to the factory for inspection before agreeing to covering the above stated warranty labor charges*

### **This warranty does not include parts & labor coverage resulting from:**

- External electrical power failure or improper supply voltage to product.
- Adverse operating conditions for the product.
- Failure to clean and/or maintain the product.
- Standard wear & tear items.
- Failure to maintain a proper gas supply pressure.
- Improper conversion practices (natural gas to propane).
- Damage that is caused by employees or customers.
- Any part or assembly that has been altered, modified, or changed.
- Equipment usage in a residential or non-commercial setting.
- Calibration adjustments.

### **LIMITATION OF LIABILITY AND OTHER WARRANTIES**

*Serv-Ware Products assumes no liability for misuse or inadequate maintenance of the Product. In no event shall the user be entitled to recover incidental or consequential damages. Including but not limited to; damages for inconvenience, food loss, rental or replacement equipment, loss of profits, or other commercial loss.*

*Warranties stated above are the only warranties made in connection with the sale and distribution of the Products. ANY AND ALL OTHER EXPRESSED STATUTORY AND IMPLIED WARRANTIES APPLICABLE TO THE PRODUCT INCLUDING, WITHOUT LIMITATION, ALL IMPLIED WARRANTIES OF MERCHANTABILITY AND FITNESS FOR USE ARE EXPRESSLY DISCLAIMED. The warranty information set forth above shall be governed by and construed in accordance with the laws of the State of North Carolina and, if applicable, the laws of the United States of America. The warranty, as stated, is extended only to the original owner/user and is not assignable. Serv-Ware reserves the right to change product specifications without notice due to constant product improvement.*