



VACUUM PACKING MACHINE SU-606GP+ 208-240/60/3

Floorstanding unit. 2648 cf/h. 16 + 26".



P/N. 1140863



SALES DESCRIPTION

Two sealing bars (16 + 26").
2648 cf/h Busch vacuum pump.
Vacuum controlled by sensor.

- ✓ Powered by Busch.
- ✓ Vacuum controlled by sensor.
- ✓ Vacuum PLUS.
- ✓ LCD colour screen: all information at a glance.
- ✓ Backlit touch keyboard.
- ✓ Programmable: 99-programme memory. Blocking option.
- ✓ "Pause" button to marinate food.
- ✓ Phased vacuum programme.
- ✓ Detection of the evaporation of liquids.
- ✓ Double seal.
- ✓ Cordless sealing bar.
- ✓ Bag sealing program.
- ✓ Progressive decompression.
- ✓ Vac-Norm ready with automatic decompression.
- ✓ Stainless steel body and chamber.
- ✓ Damped transparent lid.
- ✓ Dry-oil programme for drying the pump.
- ✓ Working hours counter for oil changes.
- ✓ Safety system with protection against vacuum failure.
- ✓ NSF-listed model.

INCLUDES

- ✓ Inert gas flush (G models).
- ✓ Bluetooth connectivity and connection for printer (P models).
- ✓ PLUS welding for retort pouches (+ models).
- ✓ BUSCH pump.
- ✓ Sensor Controls.
- ✓ 25 programmable settings.
- ✓ Vacuum PLUS: up to 10 seconds of extra vacuum pull.
- ✓ Soft air function.
- ✓ Clear methacrylate lid.
- ✓ "PAUSE" function.
- ✓ Liquid detection system.
- ✓ Dry oil cycle.
- ✓ NSF Approved.
- ✓ Filling plate.

OPTIONAL

- Printer
- Vacuum packing bags
- External vacuum kit for Vac-Norm, containers and accessories
- Bag cutting kit
- Support for liquid packaging
- Additional filling plates

ACCESSORIES

- Bag cutting kits
- Filling plates
- Liquid insert plates
- Vac-norm external vacuum kit
- Vac-norm containers
- Smooth bags for vacuum packing
- Thermal labels for CG2 / RB printer
- RB desktop printer for SU vacuum packing machines
- Thermal transfer labels for RB printer
- Vacuum packing machines maintenance kits

SPECIFICATIONS

Pump capacity: 2648 cf/h
 Bar length: 16 + 26"
 Total loading: 2 Hp
 Vacuum pressure (maximum): 0.5 mbar
 Electrical supply: 208 V / 60 Hz / 3~ (8.9 A)
 Plug: USA (NEMA L15-30P / 3P+G)

Internal dimensions

- ✓ Width: 26.4"
- ✓ Depth: 19"

FOOD PRESERVATION AND SOUS-VIDE
COMMERCIAL VACUUM PACKING MACHINES



SAMMIC, S.L. · Basarte, 1
20720 AZKOITIA (Gipuzkoa) · SPAIN

Intertek

product sheet
updated 10/03/2026



VACUUM PACKING MACHINE SU-606GP+ 208-240/60/3

Floorstanding unit. 2648 cf/h. 16 + 26".



P/N. 1140863

✓ Height: 7.8"

External dimensions (W x D x H)

✓ Width: 29"

✓ Depth: 22.2"

✓ Height: 39.2"

Net weight: 355.5 lb

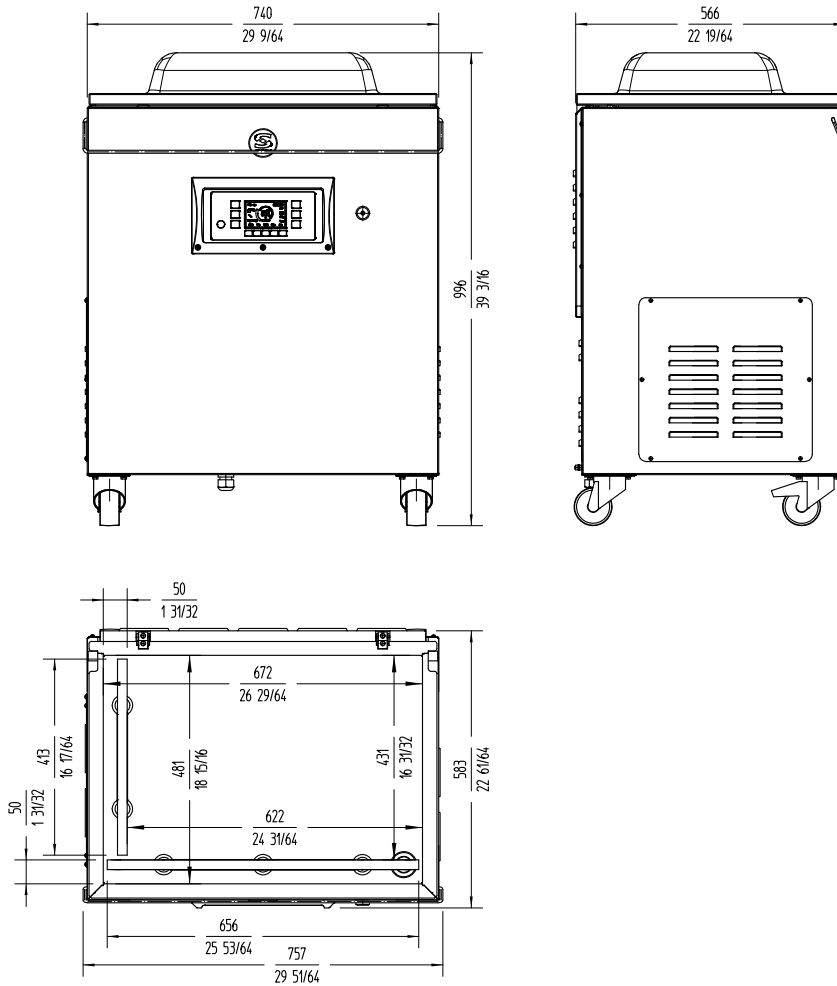
Noise level (1m.): 75 dB(A)

Background noise: 32 dB(A)

Crated dimensions

32.7 x 26.4 x 47.2 "

Gross weight: 436.1 lbs.



FOOD PRESERVATION AND SOUS-VIDE
COMMERCIAL VACUUM PACKING MACHINES

sammic | sammic.us
Food Service Equipment Manufacturer

usa@sammic.com phone +1 (224) 307-2232
 1225 Hartrey Avenue toll free +1 844 275 3848
 60202-1056 Evanston, IL



Project	Date
Item	Qty
Approved	

product sheet
updated 10/03/2026