



Corner Work Table with 5" Riser

16 Gauge Stainless Steel Riser Tables



Use your smart phone to scan the above QR code to visit our website: www.bk-resources.com

Certifications:



Features:

- Two (2) 5" "C" Channels to Reinforce and Maintain Level Working Surface
- Legs 1 5/8" Diameter
- 5" Riser

Material:

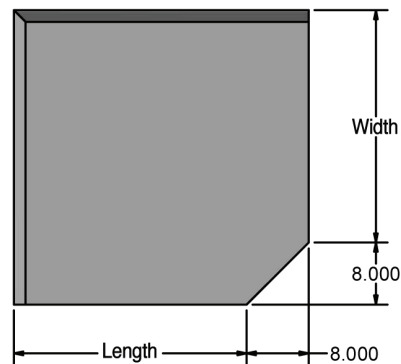
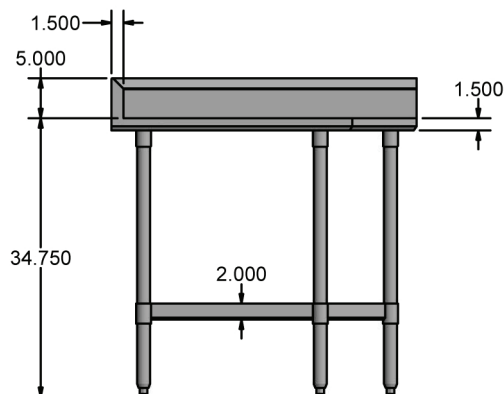
- T-304 16 ga. Stainless Steel Top
- Stainless Steel Legs & Adjustable Undershef
- Adjustable Stainless Steel Feet



Options:

- Casters
- Upgraded Bullet Feet

Part #	Dimensions (l x w)	Overall Dimensions (l x w)
CVTCR5-2424	24" x 24"	32" x 32"
CVTCR5-3030	30" x 30"	38" x 38"



PRODUCT DATA SHEET

BK RESOURCES

